



MAIN INFORMATION		Barattolo 0,22 L c.s.
Code		<b>303.000</b>

RAW MATERIAL		CLOSURE SYSTEM	
PP - Polypropylene	<b>X</b>	Snap + Tamper evidence	<b>X</b>
PS - Polystyrene		Membrane seal	
PE - Polyethylene		Easy open Aluminum	
Food Approvals			

DIMENSION		LID SUITABLE (Code)	
Weight (g)	<b>11</b>	<b>304.000</b>	
Brimful volume (ml)	<b>245</b>		
Useful volume (ml)	<b>220</b>		

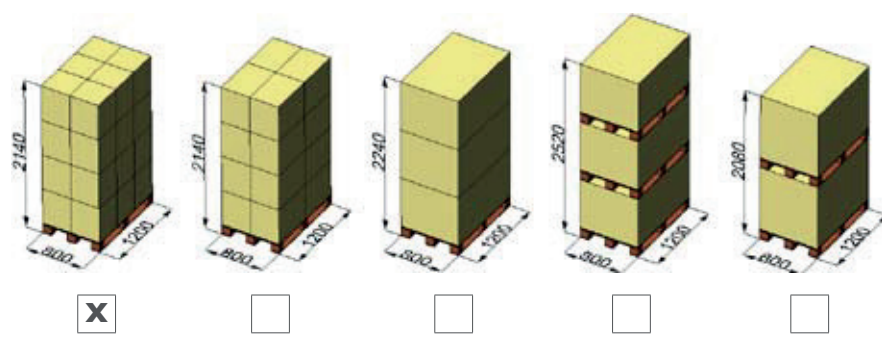
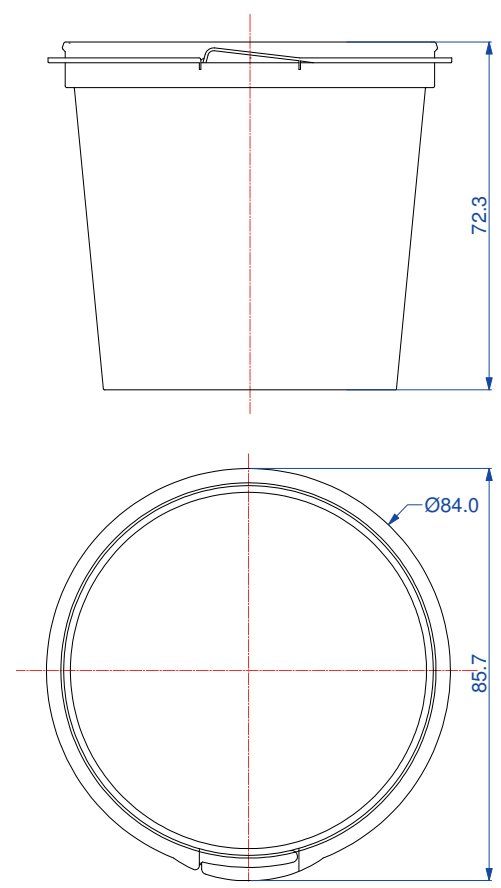
DECORATION			
Adhesive label		Offset	
I.M.L		Skinny	
I.M.S.	<b>X</b>	Other	
I.M.S. barrier			

PACKING	Box		Palbox	
		400 x 400 h 500	400 x 600 h 500	800 x 1200 h 700
N° x box	<b>900</b>			
Weight box (Kg)	<b>11,02</b>			
Boxes x pallet	<b>24</b>			
Weight pallet (Kg)	<b>269</b>			
N° x pallet	<b>21600</b>			

IMAGE



EXTERNAL DIMENSIONS (mm)



**MAIN INFORMATION** Coperchio 0,22 L c.s. a. c.c.

Code **304.000**

RAW MATERIAL		CLOSURE SYSTEM	
PP - Polypropylene	<b>X</b>	Snap + Tamper evidence	<b>X</b>
PS - Polystyrene		Membrane seal	
PE - Polyethylene		Easy open Aluminum	

DIMENSION	SUITABLE FOR (Code)							
Weight (g)	<b>5</b>	<table border="1"> <tr> <td><b>303.000</b></td> <td><b>316.000</b></td> </tr> <tr> <td><b>321.000</b></td> <td><b>322.000</b></td> </tr> <tr> <td><b>327.000</b></td> <td><b>344.000</b></td> </tr> </table>	<b>303.000</b>	<b>316.000</b>	<b>321.000</b>	<b>322.000</b>	<b>327.000</b>	<b>344.000</b>
<b>303.000</b>	<b>316.000</b>							
<b>321.000</b>	<b>322.000</b>							
<b>327.000</b>	<b>344.000</b>							

**DECORATION** **FOOD APPROVALS**

Adhesive label **X**

PACKING	Box	Box	Palbox	
	400 x 400 h 500	400 x 600 h 500	h 700	h 900
N° x box	<b>1800</b>			
Weight box (Kg)	<b>12,6</b>			
Boxes x pallet	<b>24</b>			
Weight pallet (Kg)	<b>307</b>			
N° x pallet	<b>43200</b>			

**EXTERNAL DIMENSIONS (mm)**

