



MAIN INFORMATION		Barattolo 0,22 L b.q. s.s.
Code		<b>306.000</b>

RAW MATERIAL		CLOSURE SYSTEM	
PP - Polypropylene	<b>X</b>	Snap + Tamper evidence	
PS - Polystyrene		Membrane seal	<b>X</b>
PE - Polyethylene		Easy open Aluminum	
Food Approvals			

DIMENSION		LID SUITABLE (Code)
Weight (g)	<b>9</b>	<b>307.000</b>
Brimful volume (ml)	<b>220</b>	
Useful volume (ml)	<b>220</b>	

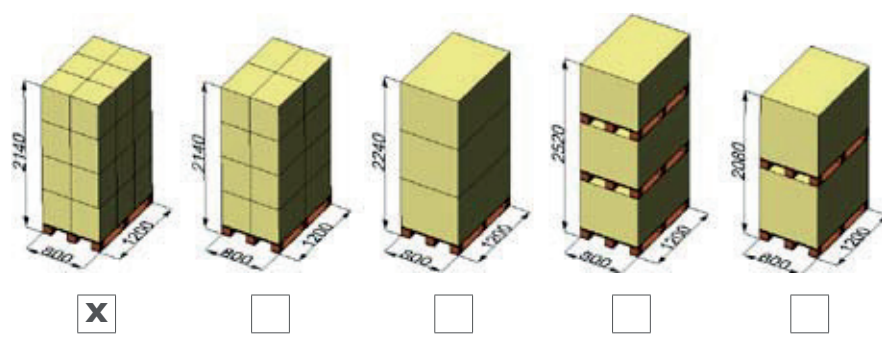
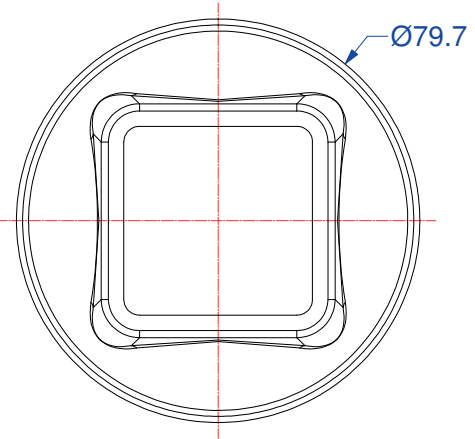
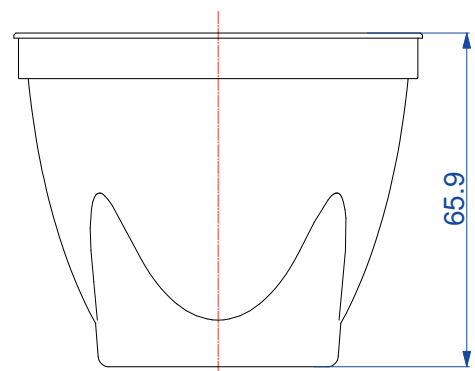
DECORATION		
Adhesive label		Offset
I.M.L		Skinny
I.M.S.	<b>X</b>	Other
I.M.S. barrier		

PACKING	Box	Box	Palbox		
	400 x 400 h 500	400 x 600 h 500	800 x 1200 h 700	h 900	
N° x box	<b>1080</b>				
Weight box (Kg)	<b>9,7</b>				
Boxes x pallet	<b>24</b>				
Weight pallet (Kg)	<b>238</b>				
N° x pallet	<b>25920</b>				

IMAGE



EXTERNAL DIMENSIONS (mm)



MAIN INFORMATION		Coperchio b.q. s.s.	
Code		<b>307.000</b>	
RAW MATERIAL		CLOSURE SYSTEM	
PP - Polypropylene	<b>X</b>	Snap + Tamper evidence	<b>X</b>
PS - Polystyrene		Membrane seal	
PE - Polyethylene		Easy open Aluminum	
DIMENSION		SUITABLE FOR (Code)	
Weight (g)	<b>4</b>	<b>306.000</b>	
DECORATION		FOOD APPROVALS	
Adhesive label	<b>X</b>		
PACKING		Box	Palbox
		400 x 400	800 x 1200
		h 500	h 700    h 900
N° x box		<b>3776</b>	
Weight box (Kg)		<b>15,1</b>	
Boxes x pallet		<b>16</b>	
Weight pallet (Kg)		<b>247</b>	
N° x pallet		<b>60416</b>	

**EXTERNAL DIMENSIONS (mm)**

Ø82.2

7.8

2140 800 1200

2140 800 1200

2240 800 1200

2520 800 1200

2080 800 1200