



MAIN INFORMATION		Barattolo 0,5 L c.s. liq
Code		314.000

RAW MATERIAL		CLOSURE SYSTEM	
PP - Polypropylene	X	Snap + Tamper evidence	X
PS - Polystyrene		Membrane seal	
PE - Polyethylene		Easy open Aluminum	
Food Approvals			

DIMENSION		LID SUITABLE (Code)
Weight (g)	20	315.000
Brimful volume (ml)	500	
Useful volume (ml)	500	

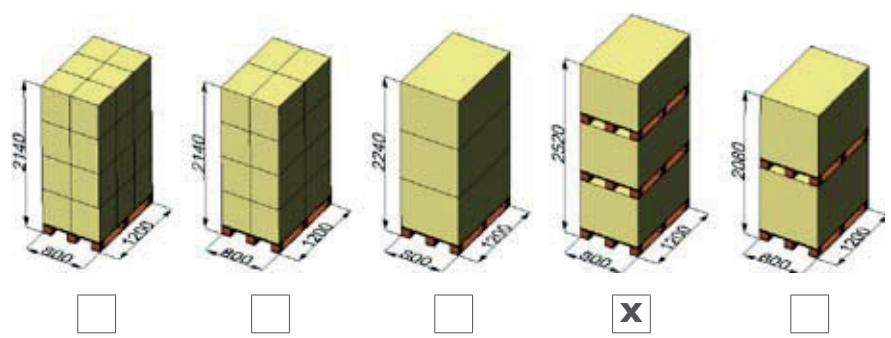
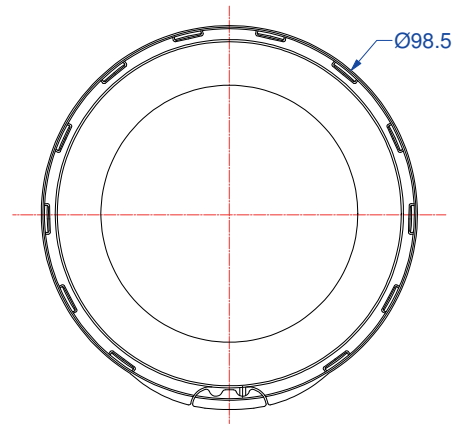
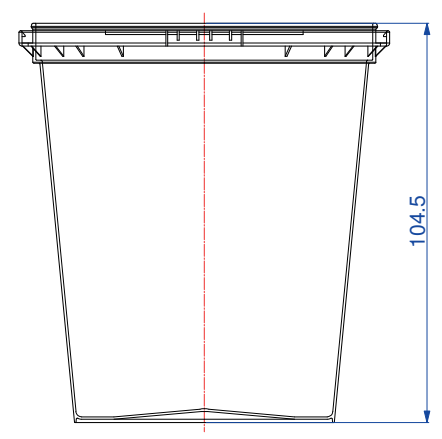
DECORATION			
Adhesive label		Offset	
I.M.L	X	Skinny	
I.M.S.		Other	
I.M.S. barrier			

PACKING	Box	Box	Palbox	
	400 x 400 h 500	400 x 600 h 500	800 x 1200 h 700	h 900
N° x box			5280	
Weight box (Kg)			105,6	
Boxes x pallet			3	
Weight pallet (Kg)			332	
N° x pallet			15840	

IMAGE



EXTERNAL DIMENSIONS (mm)



MAIN INFORMATION Coperchio 0,5 L c.s.

Code **315.000**

RAW MATERIAL **CLOSURE SYSTEM**

PP - Polypropylene	X	Snap + Tamper evidence	X
PS - Polystyrene		Membrane seal	
PE - Polyethylene		Easy open Aluminum	

DIMENSION **SUITABLE FOR (Code)**

Weight (g) **4,1** **314.000**

DECORATION **FOOD APPROVALS**

I.M.L **X** 

PACKING **Box** **Box** **Palbox**

	400 x 400	400 x 600	800 x 1200	
	h 500	h 500	h 700	h 900
N° x box	2880			
Weight box (Kg)	11,8			
Boxes x pallet	24			
Weight pallet (Kg)	288			
N° x pallet	69120			

EXTERNAL DIMENSIONS (mm)

