



MAIN INFORMATION		Barattolo 0,170 L c.s.
Code		<b>316.000</b>

RAW MATERIAL		CLOSURE SYSTEM	
PP - Polypropylene	<b>X</b>	Snap + Tamper evidence	<b>X</b>
PS - Polystyrene		Membrane seal	
PE - Polyethylene		Easy open Aluminum	
Food Approvals			

DIMENSION		LID SUITABLE (Code)	
Weight (g)	<b>10</b>	<b>304.000</b>	
Brimful volume (ml)	<b>186</b>		
Useful volume (ml)	<b>170</b>		

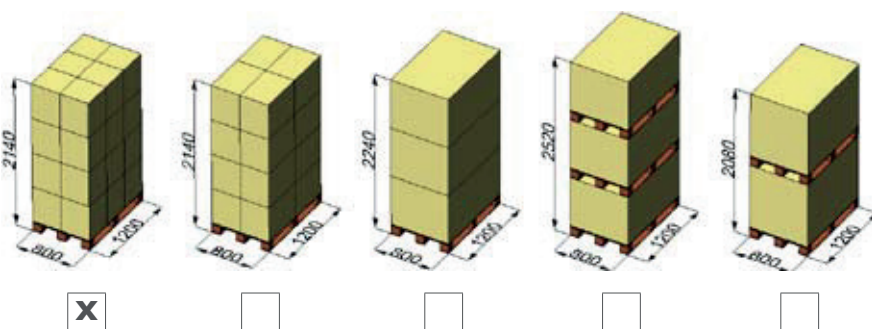
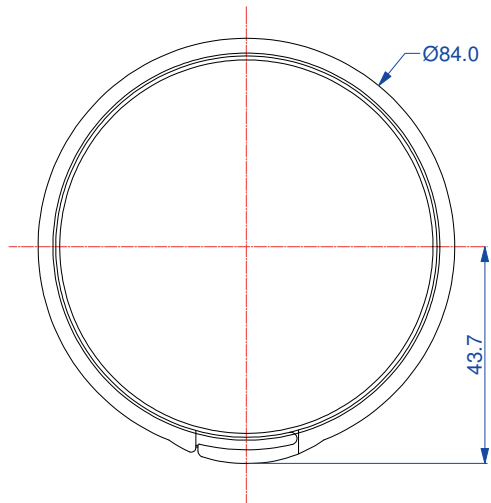
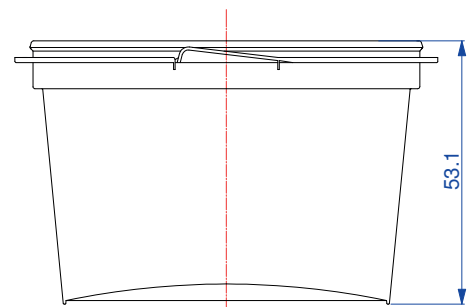
DECORATION	
Adhesive label	Offset
I.M.L	<b>X</b> Skinny
I.M.S.	Other
I.M.S. barrier	

PACKING	Box	Box	Palbox		
	400 x 400 h 500	400 x 600 h 500	800 x 1200 h 700	h 900	
N° x box	<b>900</b>				
Weight box (Kg)	<b>9</b>				
Boxes x pallet	<b>24</b>				
Weight pallet (Kg)	<b>216</b>				
N° x pallet	<b>21600</b>				

IMAGE



EXTERNAL DIMENSIONS (mm)



**MAIN INFORMATION** Coperchio 0,22 L c.s. a. c.c.

Code **304.000**

**RAW MATERIAL** **CLOSURE SYSTEM**

PP - Polypropylene	<b>X</b>	Snap + Tamper evidence	<b>X</b>
PS - Polystyrene		Membrane seal	
PE - Polyethylene		Easy open Aluminum	

**DIMENSION** **SUITABLE FOR (Code)**

Weight (g)	<b>5</b>	<b>303.000</b>	<b>316.000</b>
		<b>321.000</b>	<b>322.000</b>
		<b>327.000</b>	<b>344.000</b>

**DECORATION** **FOOD APPROVALS**

Adhesive label **X**

**PACKING** **Box** **Box** **Palbox**

	400 x 400	400 x 600	800 x 1200	
	h 500	h 500	h 700	h 900
N° x box	<b>1800</b>			
Weight box (Kg)	<b>12,6</b>			
Boxes x pallet	<b>24</b>			
Weight pallet (Kg)	<b>307</b>			
N° x pallet	<b>43200</b>			

**EXTERNAL DIMENSIONS (mm)**

