



MAIN INFORMATION		Barattolo 0,25 L s.s. vap
Code		318.000

RAW MATERIAL		CLOSURE SYSTEM	
PP - Polypropylene	X	Snap + Tamper evidence	
PS - Polystyrene		Membrane seal	
PE - Polyethylene		Easy open Aluminum	X
Food Approvals			

DIMENSION		LID SUITABLE (Code)	
Weight (g)	16,2	319.000	
Brimful volume (ml)	250		
Useful volume (ml)	250		

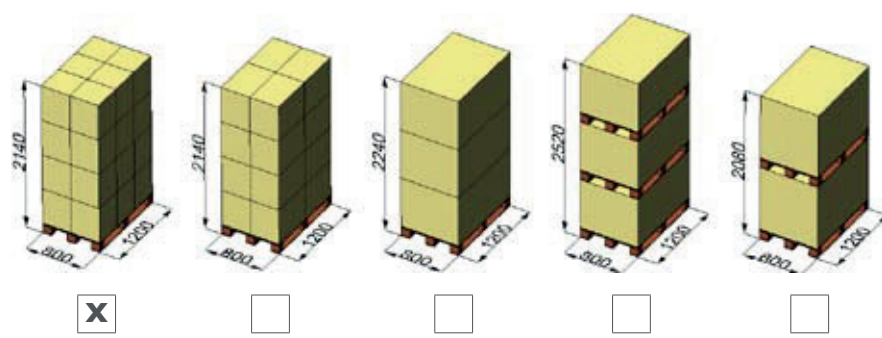
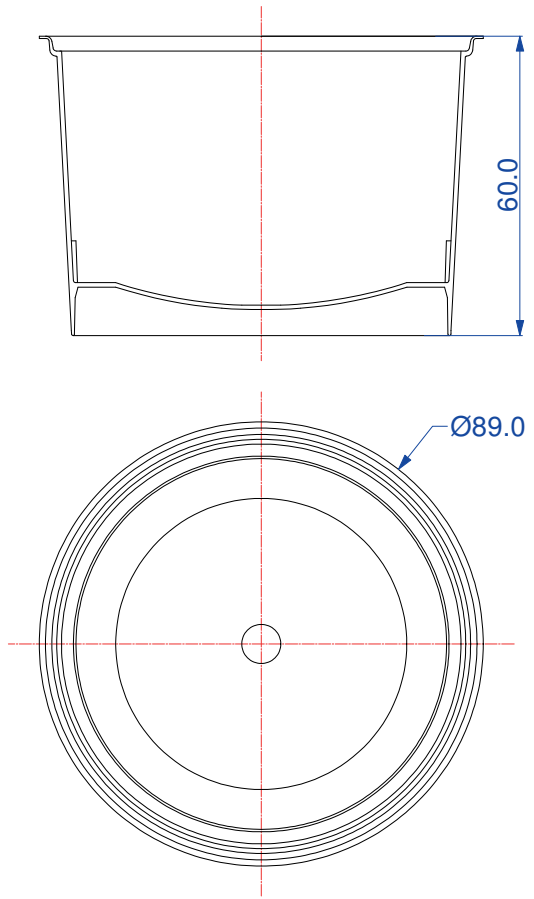
DECORATION			
Adhesive label		Offset	
I.M.L	X	Skinny	
I.M.S.		Other	
I.M.S. barrier			

PACKING	Box		Palbox	
	400 x 400	400 x 600	800 x 1200	
	h 500	h 500	h 700	h 900
N° x box	408			
Weight box (Kg)	6,6			
Boxes x pallet	24			
Weight pallet (Kg)	163			
N° x pallet	9792			

IMAGE



EXTERNAL DIMENSIONS (mm)



MAIN INFORMATION Coperchio 0,25 L s.s.

Code **319.000**

RAW MATERIAL **CLOSURE SYSTEM**

PP - Polypropylene	X	Snap + Tamper evidence	X
PS - Polystyrene		Membrane seal	
PE - Polyethylene		Easy open Aluminum	

DIMENSION **SUITABLE FOR (Code)**

Weight (g) **5,6** **318.000**

DECORATION **FOOD APPROVALS**

I.M.L. **X** 

PACKING **Box** **Box** **Palbox**

	400 x 400	400 x 600	800 x 1200	
	h 500	h 500	h 700	h 900
N° x box	1370			
Weight box (Kg)	7,7			
Boxes x pallet	24			
Weight pallet (Kg)	190			
N° x pallet	32880			

EXTERNAL DIMENSIONS (mm)

