



MAIN INFORMATION	Barattolo 0,170 L b.q. c.s.
Code	321.000

RAW MATERIAL	CLOSURE SYSTEM
PP - Polypropylene X	Snap + Tamper evidence X
PS - Polystyrene	Membrane seal
PE - Polyethylene	Easy open Aluminum
Food Approvals	

DIMENSION	LID SUITABLE (Code)
Weight (g) 9	304.000
Brimful volume (ml) 184	
Useful volume (ml) 170	

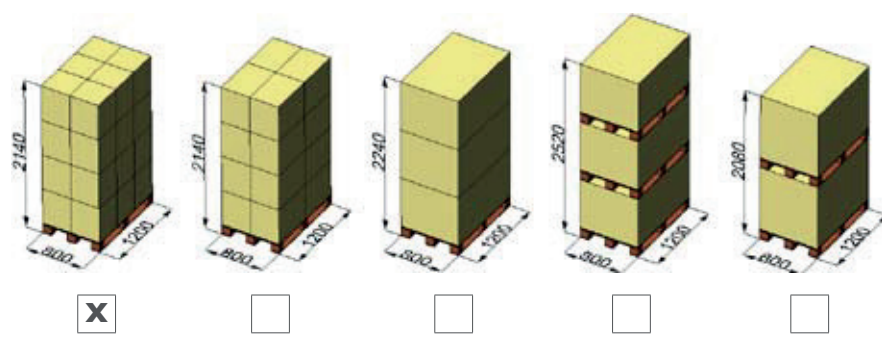
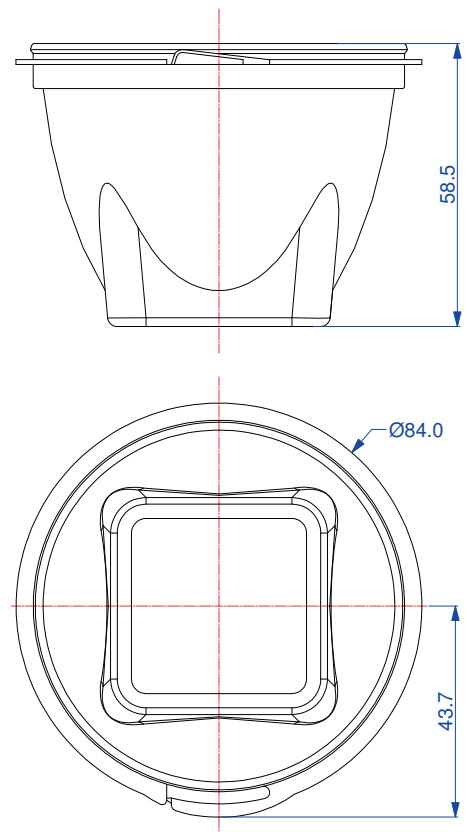
DECORATION	
Adhesive label	Offset
I.M.L. X	Skinny
I.M.S.	Other
I.M.S. barrier	

PACKING	Box	Box	Palbox	
	400 x 400	400 x 600	800 x 1200	
	h 500	h 500	h 700	h 900
N° x box	900			
Weight box (Kg)	8,1			
Boxes x pallet	24			
Weight pallet (Kg)	200			
N° x pallet	21600			

IMAGE



EXTERNAL DIMENSIONS (mm)



MAIN INFORMATION Coperchio 0,22 L c.s. a. c.c.

Code **304.000**

RAW MATERIAL **CLOSURE SYSTEM**

PP - Polypropylene	X	Snap + Tamper evidence	X
PS - Polystyrene		Membrane seal	
PE - Polyethylene		Easy open Aluminum	

DIMENSION **SUITABLE FOR (Code)**

Weight (g)	5	303.000	316.000
		321.000	322.000
		327.000	344.000

DECORATION **FOOD APPROVALS**

Adhesive label **X**

PACKING **Box** **Box** **Palbox**

	400 x 400	400 x 600	800 x 1200	
	h 500	h 500	h 700	h 900
N° x box	1800			
Weight box (Kg)	12,6			
Boxes x pallet	24			
Weight pallet (Kg)	307			
N° x pallet	43200			

EXTERNAL DIMENSIONS (mm)

