



MAIN INFORMATION	
	Barattolo 0,406 L bombato s.s.
Code	325.000

RAW MATERIAL		CLOSURE SYSTEM	
PP - Polypropylene	X	Snap + Tamper evidence	X
PS - Polystyrene		Membrane seal	
PE - Polyethylene		Easy open Aluminum	
Food Approvals			

DIMENSION		LID SUITABLE (Code)	
Weight (g)	18,2	326.000	
Brimful volume (ml)	406		
Useful volume (ml)	406		

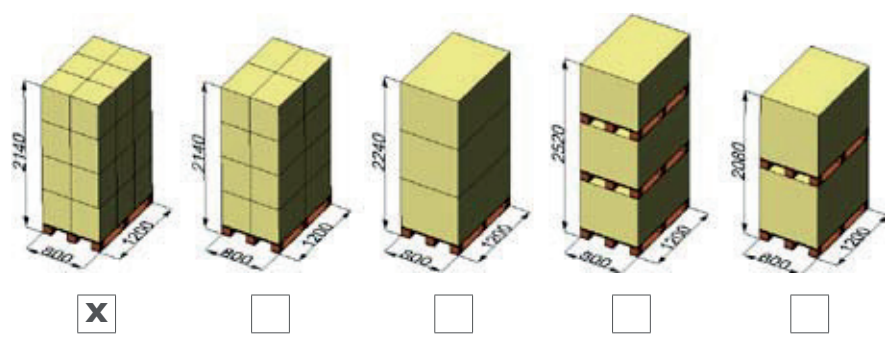
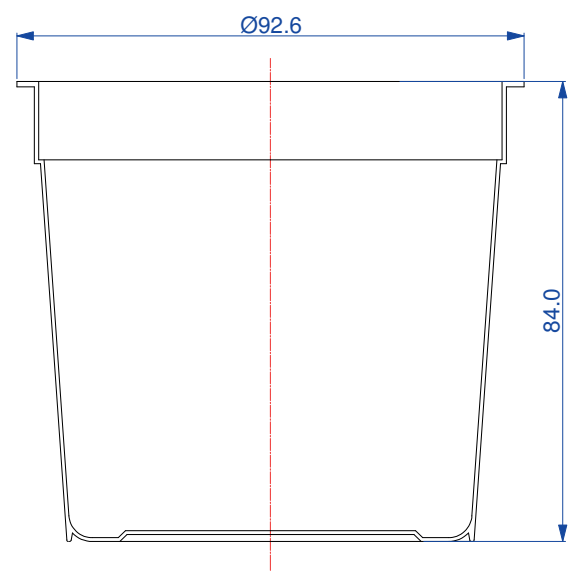
DECORATION	
Adhesive label	Offset
I.M.L	X Skinny
I.M.S.	Other
I.M.S. barrier	

PACKING	Box		Palbox	
	400 x 400	400 x 600	800 x 1200	
	h 500	h 500	h 700	h 900
N° x box	1440			
Weight box (Kg)	7,8			
Boxes x pallet	24			
Weight pallet (Kg)	192			
N° x pallet	10368			

IMAGE



EXTERNAL DIMENSIONS (mm)



MAIN INFORMATION Coperchio bombato s.s.

Code **326.000**

RAW MATERIAL **CLOSURE SYSTEM**

PP - Polypropylene	X	Snap + Tamper evidence	X
PS - Polystyrene		Membrane seal	
PE - Polyethylene		Easy open Aluminum	

DIMENSION **SUITABLE FOR (Code)**

Weight (g) **5,7** **325.000**

DECORATION **FOOD APPROVALS**

I.M.L **X**

PACKING **Box** **Box** **Palbox**

	400 x 400	400 x 600	800 x 1200	
	h 500	h 500	h 700	h 900
N° x box	1440			
Weight box (Kg)	10,2			
Boxes x pallet	24			
Weight pallet (Kg)	250			
N° x pallet	34560			

EXTERNAL DIMENSIONS (mm)

