



MAIN INFORMATION		Barattolo 0,255 L s.s.
Code		336.000

IMAGE



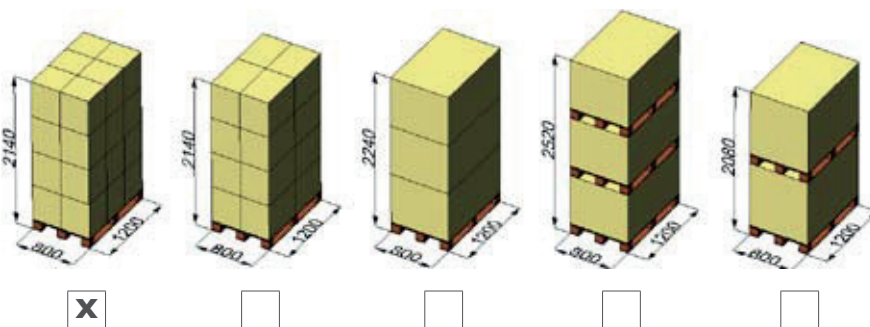
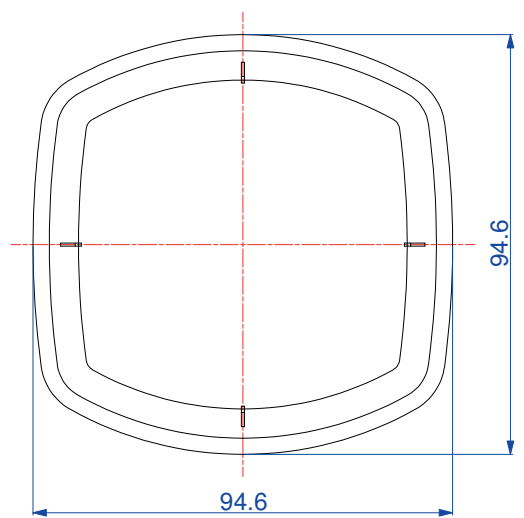
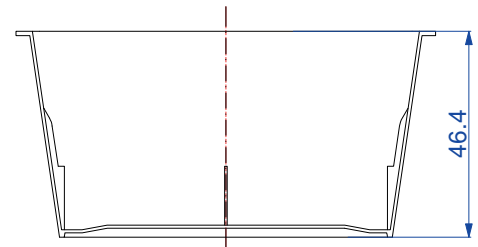
RAW MATERIAL		CLOSURE SYSTEM	
PP - Polypropylene	X	Snap + Tamper evidence	X
PS - Polystyrene		Membrane seal	
PE - Polyethylene		Easy open Aluminum	
Food Approvals			

DIMENSION		LID SUITABLE (Code)	
Weight (g)	13	339.000	
Brimful volume (ml)	255		
Useful volume (ml)	255		

DECORATION	
Adhesive label	Offset
I.M.L	X Skinny
I.M.S.	Other
I.M.S. barrier	

EXTERNAL DIMENSIONS (mm)

PACKING	Box		Palbox	
	400 x 400	400 x 600	800 x 1200	800 x 1200
	h 500	h 500	h 700	h 900
N° x box	448			
Weight box (Kg)	5,8			
Boxes x pallet	24			
Weight pallet (Kg)	145			
N° x pallet	10752			



MAIN INFORMATION Coperchio Le Fish s.s.

Code **339.000**

RAW MATERIAL **CLOSURE SYSTEM**

PP - Polypropylene	X	Snap + Tamper evidence	X
PS - Polystyrene		Membrane seal	
PE - Polyethylene		Easy open Aluminum	

DIMENSION **SUITABLE FOR (Code)**

Weight (g)	7,4	336.000
		337.000
		338.000

DECORATION **FOOD APPROVALS**

I.M.L **X**

PACKING **Box** **Box** **Palbox**

	400 x 400	400 x 600	800 x 1200	
	h 500	h 500	h 700	h 900
N° x box	960			
Weight box (Kg)	7,2			
Boxes x pallet	24			
Weight pallet (Kg)	178			
N° x pallet	23040			

EXTERNAL DIMENSIONS (mm)

