



MAIN INFORMATION		Barattolo 0,618 L s.s.
Code		338.000

RAW MATERIAL		CLOSURE SYSTEM	
PP - Polypropylene	X	Snap + Tamper evidence	X
PS - Polystyrene		Membrane seal	
PE - Polyethylene		Easy open Aluminum	
Food Approvals			

DIMENSION		LID SUITABLE (Code)	
Weight (g)	23,8	339.000	
Brimful volume (ml)	618		
Useful volume (ml)	618		

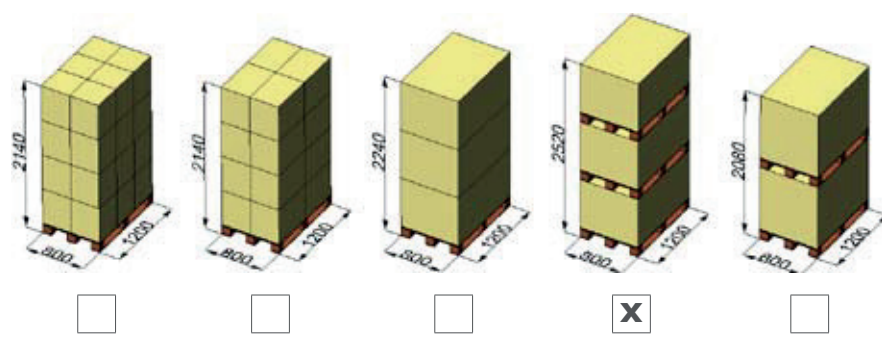
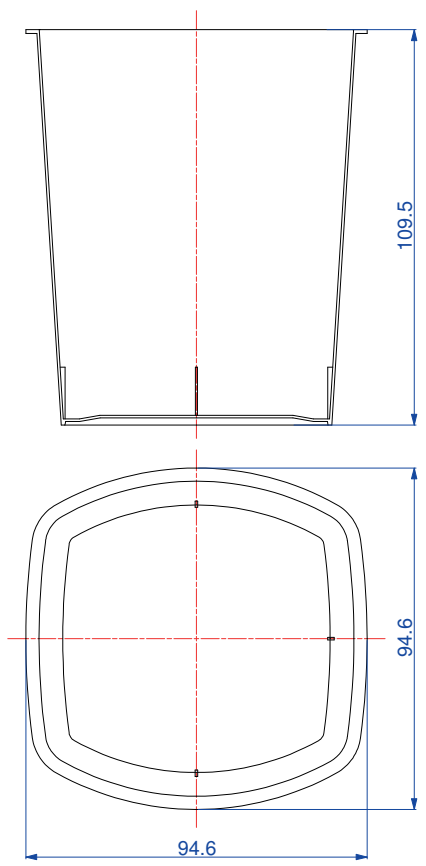
DECORATION	
Adhesive label	Offset
I.M.L	X Skinny
I.M.S.	Other
I.M.S. barrier	

PACKING	Box	Box	Palbox	
	400 x 400 h 500	400 x 600 h 500	800 x 1200 h 700	800 x 1200 h 900
N° x box			3552	
Weight box (Kg)			85	
Boxes x pallet			3	
Weight pallet (Kg)			270	
N° x pallet			10656	

IMAGE



EXTERNAL DIMENSIONS (mm)



MAIN INFORMATION Coperchio Le Fish s.s.

Code **339.000**

RAW MATERIAL **CLOSURE SYSTEM**

PP - Polypropylene	X	Snap + Tamper evidence	X
PS - Polystyrene		Membrane seal	
PE - Polyethylene		Easy open Aluminum	

DIMENSION **SUITABLE FOR (Code)**

Weight (g)	7,4	336.000
		337.000
		338.000

DECORATION **FOOD APPROVALS**

I.M.L **X**

PACKING **Box** **Box** **Palbox**

	400 x 400	400 x 600	800 x 1200	
	h 500	h 500	h 700	h 900
N° x box	960			
Weight box (Kg)	7,2			
Boxes x pallet	24			
Weight pallet (Kg)	178			
N° x pallet	23040			

EXTERNAL DIMENSIONS (mm)

