



MAIN INFORMATION		Barattolo XXL 0,5 L
Code		<b>341.000</b>

RAW MATERIAL		CLOSURE SYSTEM	
PP - Polypropylene	<b>X</b>	Snap + Tamper evidence	
PS - Polystyrene		Membrane seal	<b>X</b>
PE - Polyethylene		Easy open Aluminum	
Food Approvals			

DIMENSION		LID SUITABLE (Code)	
Weight (g)	<b>24</b>	<b>320.000</b>	
Brimful volume (ml)	<b>561</b>		
Useful volume (ml)	<b>561</b>		

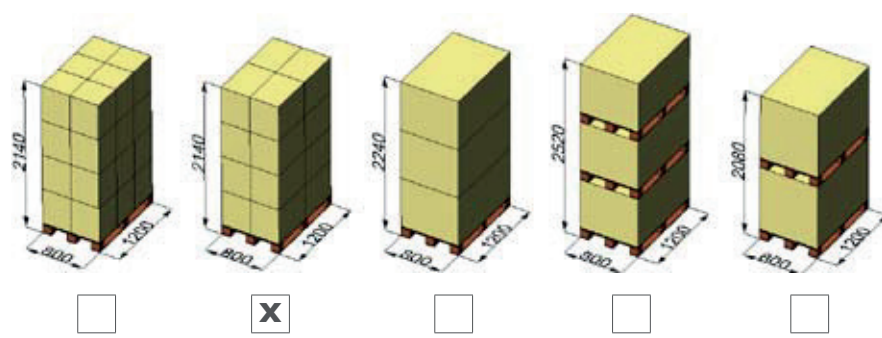
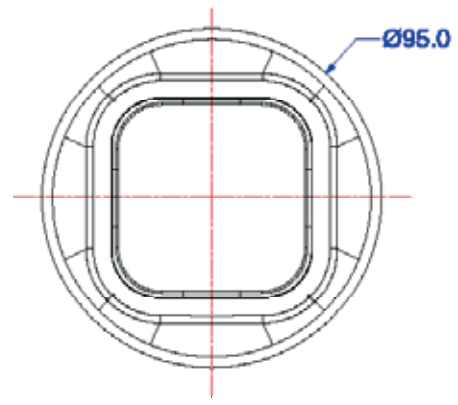
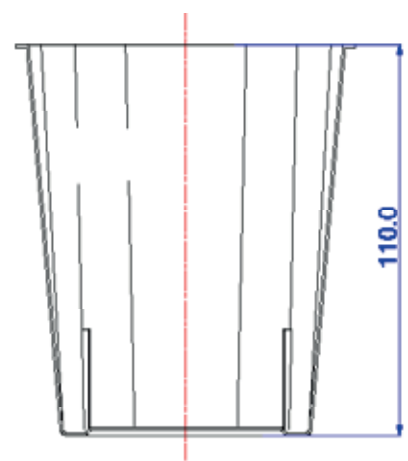
DECORATION			
Adhesive label		Offset	
I.M.L	<b>X</b>	Skinny	
I.M.S.		Other	
I.M.S. barrier			

PACKING	Box		Palbox	
	400 x 400 h 500	400 x 600 h 500	800 x 1200 h 700	800 x 1200 h 900
N° x box		<b>312</b>		
Weight box (Kg)		<b>8,5</b>		
Boxes x pallet		<b>16</b>		
Weight pallet (Kg)		<b>141</b>		
N° x pallet		<b>4992</b>		

IMAGE



EXTERNAL DIMENSIONS (mm)



**MAIN INFORMATION** Coperchio XXL

Code **320.000**

**RAW MATERIAL** **CLOSURE SYSTEM**

PP - Polypropylene	<b>X</b>	Snap + Tamper evidence	<b>X</b>
PS - Polystyrene		Membrane seal	
PE - Polyethylene		Easy open Aluminum	

**DIMENSION** **SUITABLE FOR (Code)**

Weight (g) **6** **341.000**

**DECORATION** **FOOD APPROVALS**

I.M.L. **X** 

**PACKING** **Box** **Box** **Palbox**

	Box	Box	Palbox	
	400 x 400	400 x 600	800 x 1200	
	h 500	h 500	h 700	h 900
N° x box	<b>2040</b>			
Weight box (Kg)	<b>13</b>			
Boxes x pallet	<b>24</b>			
Weight pallet (Kg)	<b>317</b>			
N° x pallet	<b>48960</b>			

**EXTERNAL DIMENSIONS (mm)**

