



MAIN INFORMATION		Barattolo 0,23 L c.s.
Code		344.000

RAW MATERIAL		CLOSURE SYSTEM	
PP - Polypropylene	X	Snap + Tamper evidence	X
PS - Polystyrene		Membrane seal	
PE - Polyethylene		Easy open Aluminum	
Food Approvals			

DIMENSION		LID SUITABLE (Code)	
Weight (g)	13	304.000	
Brimful volume (ml)	235		
Useful volume (ml)	230		

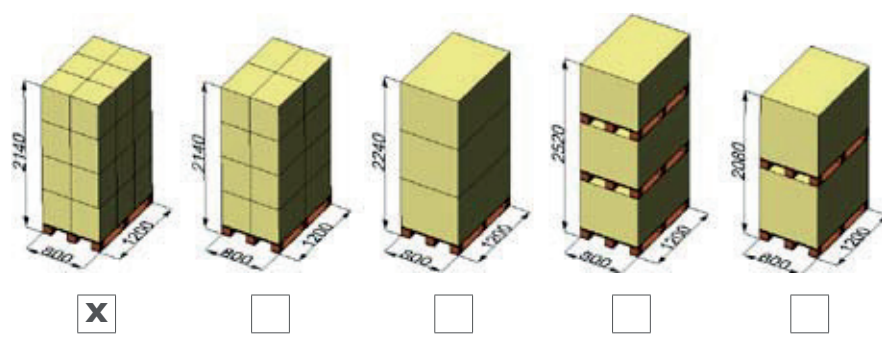
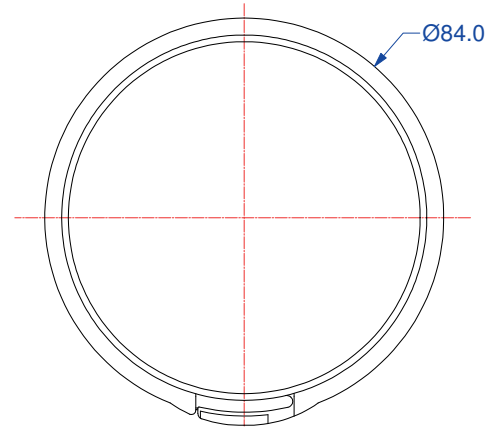
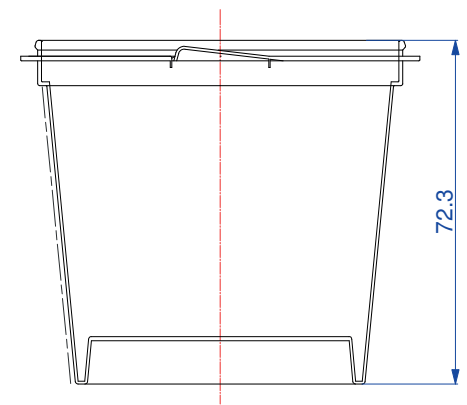
DECORATION			
Adhesive label		Offset	
I.M.L	X	Skinny	
I.M.S.		Other	
I.M.S. barrier			

PACKING	Box		Palbox	
	400 x 400 h 500	400 x 600 h 500	800 x 1200 h 700	800 x 1200 h 900
N° x box	900			
Weight box (Kg)	11,7			
Boxes x pallet	24			
Weight pallet (Kg)	286			
N° x pallet	21600			

IMAGE



EXTERNAL DIMENSIONS (mm)



MAIN INFORMATION Coperchio 0,22 L c.s. a. c.c.

Code **304.000**

RAW MATERIAL **CLOSURE SYSTEM**

PP - Polypropylene	X	Snap + Tamper evidence	X
PS - Polystyrene		Membrane seal	
PE - Polyethylene		Easy open Aluminum	

DIMENSION **SUITABLE FOR (Code)**

Weight (g)	5	303.000	316.000
		321.000	322.000
		327.000	344.000

DECORATION **FOOD APPROVALS**

Adhesive label **X**

PACKING **Box** **Box** **Palbox**

	Box	Box	Palbox	
	400 x 400	400 x 600	800 x 1200	
	h 500	h 500	h 700	h 900
N° x box	1800			
Weight box (Kg)	12,6			
Boxes x pallet	24			
Weight pallet (Kg)	307			
N° x pallet	43200			

EXTERNAL DIMENSIONS (mm)

