



| MAIN INFORMATION | | Barattolo 0,165 L |
|------------------|--|-------------------|
| Code | | 347.000 |

| RAW MATERIAL | | CLOSURE SYSTEM | |
|--------------------|----------|------------------------|----------|
| PP - Polypropylene | X | Snap + Tamper evidence | X |
| PS - Polystyrene | | Membrane seal | |
| PE - Polyethylene | | Easy open Aluminum | |
| Food Approvals | | | |

| DIMENSION | | LID SUITABLE (Code) |
|---------------------|------------|---------------------|
| Weight (g) | 9 | 352.000 |
| Brimful volume (ml) | 197 | 353.000 |
| Useful volume (ml) | 165 | |

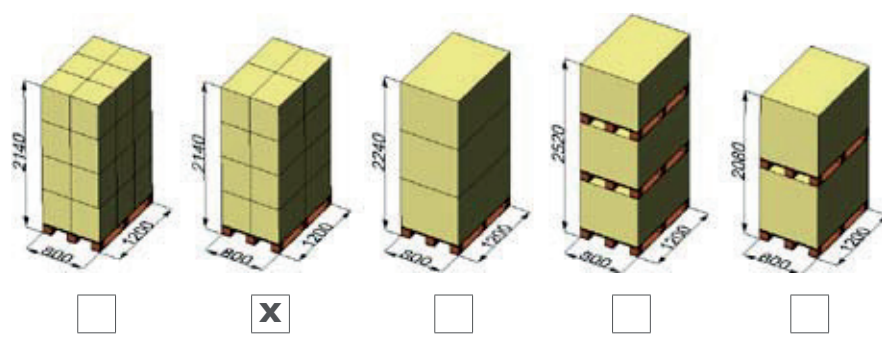
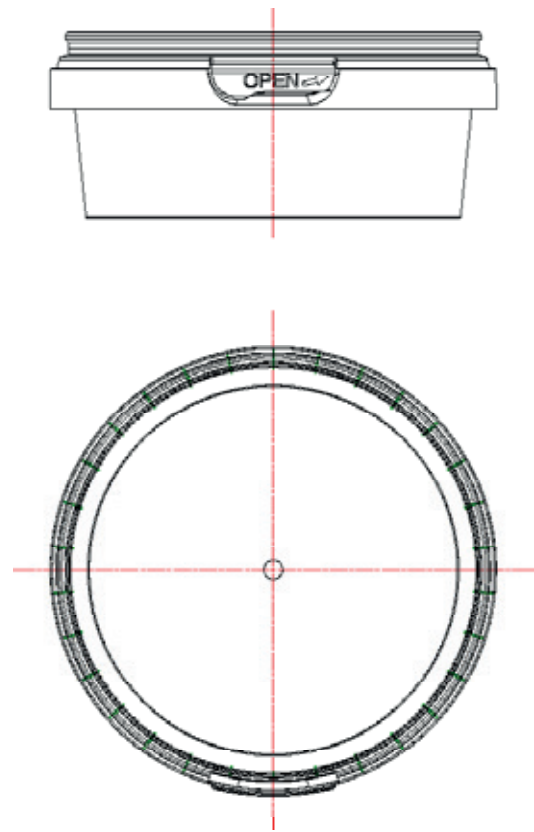
| DECORATION | |
|----------------|-----------------|
| Adhesive label | Offset |
| I.M.L | X Skinny |
| I.M.S. | Other |
| I.M.S. barrier | |

| PACKING | Box | Box | Palbox | |
|--------------------|--------------------|--------------------|---------------------|---------------------|
| | 400 x 400 h 500 | 400 x 600 h 500 | 800 x 1200 h 700 | 800 x 1200 h 900 |
| N° x box | | 1008 | | |
| Weight box (Kg) | | 9 | | |
| Boxes x pallet | | 16 | | |
| Weight pallet (Kg) | | 149 | | |
| N° x pallet | | 16128 | | |

IMAGE



EXTERNAL DIMENSIONS (mm)



| MAIN INFORMATION | | Coperchio normal Ø 95mm | |
|--------------------|------------|-------------------------|----------------|
| Code | | 352.000 | |
| RAW MATERIAL | | CLOSURE SYSTEM | |
| PP - Polypropylene | X | Snap + Tamper evidence | X |
| PS - Polystyrene | | Membrane seal | |
| PE - Polyethylene | | Easy open Aluminum | |
| DIMENSION | | SUITABLE FOR (Code) | |
| Weight (g) | 4,7 | 347.000 | 350.000 |
| | | 348.000 | 351.000 |
| | | 349.000 | |
| DECORATION | | FOOD APPROVALS | |
| I.M.L | X | | |
| PACKING | | Box | Palbox |
| | | 400 x 400 | 800 x 1200 |
| | | h 500 | h 700 h 900 |
| N° x box | | 3576 | |
| Weight box (Kg) | | 16,8 | |
| Boxes x pallet | | 16 | |
| Weight pallet (Kg) | | 274 | |
| N° x pallet | | 57216 | |

EXTERNAL DIMENSIONS (mm)

| MAIN INFORMATION | | Coperchio seal Ø 95mm | |
|--------------------|------------|------------------------|----------------|
| Code | | 353.000 | |
| RAW MATERIAL | | CLOSURE SYSTEM | |
| PP - Polypropylene | X | Snap + Tamper evidence | X |
| PS - Polystyrene | | Membrane seal | |
| PE - Polyethylene | | Easy open Aluminum | |
| DIMENSION | | SUITABLE FOR (Code) | |
| Weight (g) | 5,3 | 347.000 | 350.000 |
| | | 348.000 | 351.000 |
| | | 349.000 | |
| DECORATION | | FOOD APPROVALS | |
| I.M.L | X | | |
| PACKING | | Box | Palbox |
| | | 400 x 400 | 800 x 1200 |
| | | h 500 | h 700 h 900 |
| N° x box | | 3000 | |
| Weight box (Kg) | | 15,9 | |
| Boxes x pallet | | 16 | |
| Weight pallet (Kg) | | 259 | |
| N° x pallet | | 48000 | |

EXTERNAL DIMENSIONS (mm)