



MAIN INFORMATION		Barattolo 0,280 L
Code		349.000

RAW MATERIAL		CLOSURE SYSTEM	
PP - Polypropylene	X	Snap + Tamper evidence	X
PS - Polystyrene		Membrane seal	
PE - Polyethylene		Easy open Aluminum	
Food Approvals			

DIMENSION		LID SUITABLE (Code)
Weight (g)	12	352.000
Brimful volume (ml)	316	353.000
Useful volume (ml)	280	

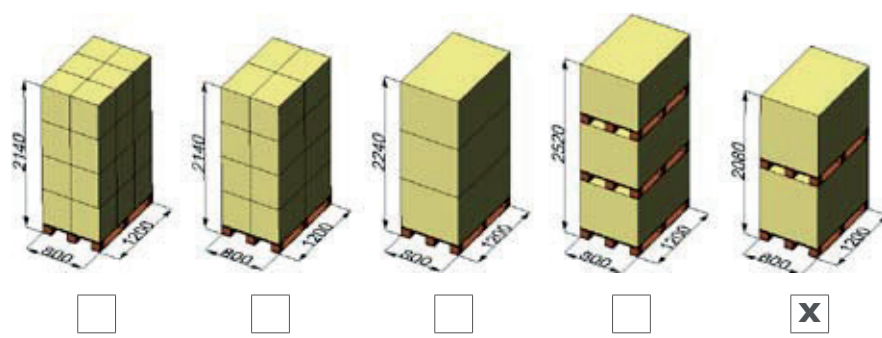
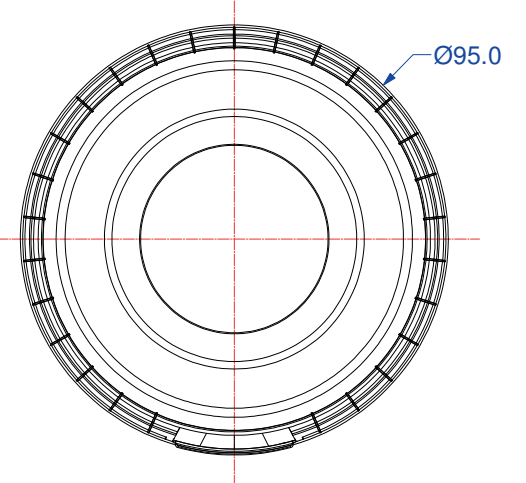
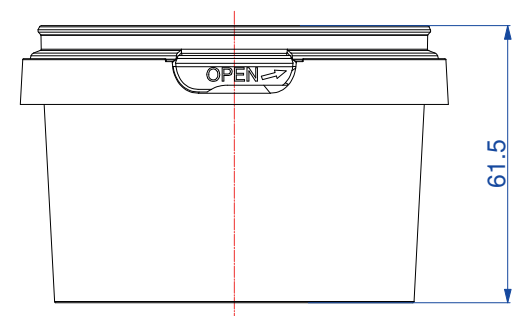
DECORATION	
Adhesive label	Offset
I.M.L	X Skinny
I.M.S.	Other
I.M.S. barrier	

PACKING	Box	Box	Palbox
	400 x 400 h 500	400 x 600 h 500	800 x 1200 h 700 h 900
N° x box			5400
Weight box (Kg)			66
Boxes x pallet			2
Weight pallet (Kg)			137
N° x pallet			10800

IMAGE



EXTERNAL DIMENSIONS (mm)



MAIN INFORMATION		Coperchio normal Ø 95mm	
Code		352.000	
RAW MATERIAL		CLOSURE SYSTEM	
PP - Polypropylene	X	Snap + Tamper evidence	X
PS - Polystyrene		Membrane seal	
PE - Polyethylene		Easy open Aluminum	
DIMENSION		SUITABLE FOR (Code)	
Weight (g)	4,7	347.000	350.000
		348.000	351.000
		349.000	
DECORATION		FOOD APPROVALS	
I.M.L	X		
PACKING		Box	Palbox
		400 x 400	800 x 1200
		h 500	h 700 h 900
N° x box		3576	
Weight box (Kg)		16,8	
Boxes x pallet		16	
Weight pallet (Kg)		274	
N° x pallet		57216	

EXTERNAL DIMENSIONS (mm)

MAIN INFORMATION		Coperchio seal Ø 95mm	
Code		353.000	
RAW MATERIAL		CLOSURE SYSTEM	
PP - Polypropylene	X	Snap + Tamper evidence	X
PS - Polystyrene		Membrane seal	
PE - Polyethylene		Easy open Aluminum	
DIMENSION		SUITABLE FOR (Code)	
Weight (g)	5,3	347.000	350.000
		348.000	351.000
		349.000	
DECORATION		FOOD APPROVALS	
I.M.L	X		
PACKING		Box	Palbox
		400 x 400	800 x 1200
		h 500	h 700 h 900
N° x box		3000	
Weight box (Kg)		15,9	
Boxes x pallet		16	
Weight pallet (Kg)		259	
N° x pallet		48000	

EXTERNAL DIMENSIONS (mm)