



MAIN INFORMATION		Barattolo 0,565 L
Code		357.000

RAW MATERIAL		CLOSURE SYSTEM	
PP - Polypropylene	X	Snap + Tamper evidence	X
PS - Polystyrene		Membrane seal	
PE - Polyethylene		Easy open Aluminum	
Food Approvals			

DIMENSION		LID SUITABLE (Code)	
Weight (g)	20,2	359.000	
Brimful volume (ml)	645	360.000	
Useful volume (ml)	565		

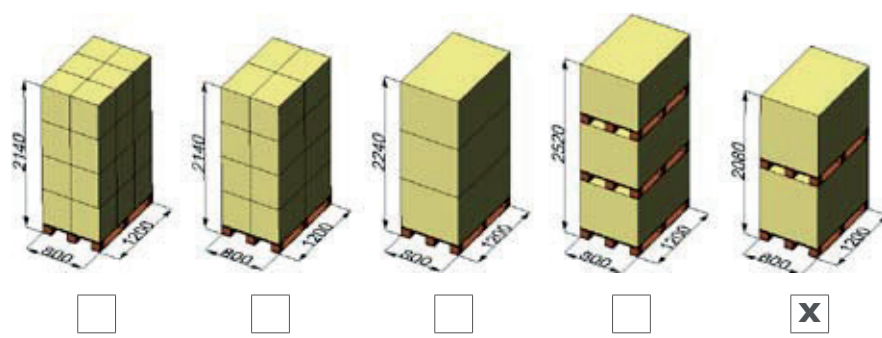
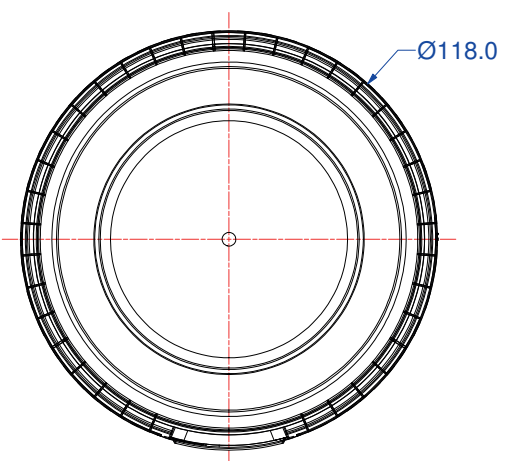
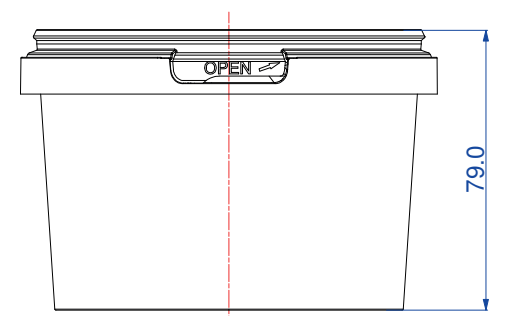
DECORATION	
Adhesive label	
I.M.L	X
I.M.S.	
I.M.S. barrier	

PACKING	Box	Box	Palbox	
	400 x 400 h 500	400 x 600 h 500	h 700	h 900
N° x box				3300
Weight box (Kg)				66,6
Boxes x pallet				2
Weight pallet (Kg)				143,2
N° x pallet				6600

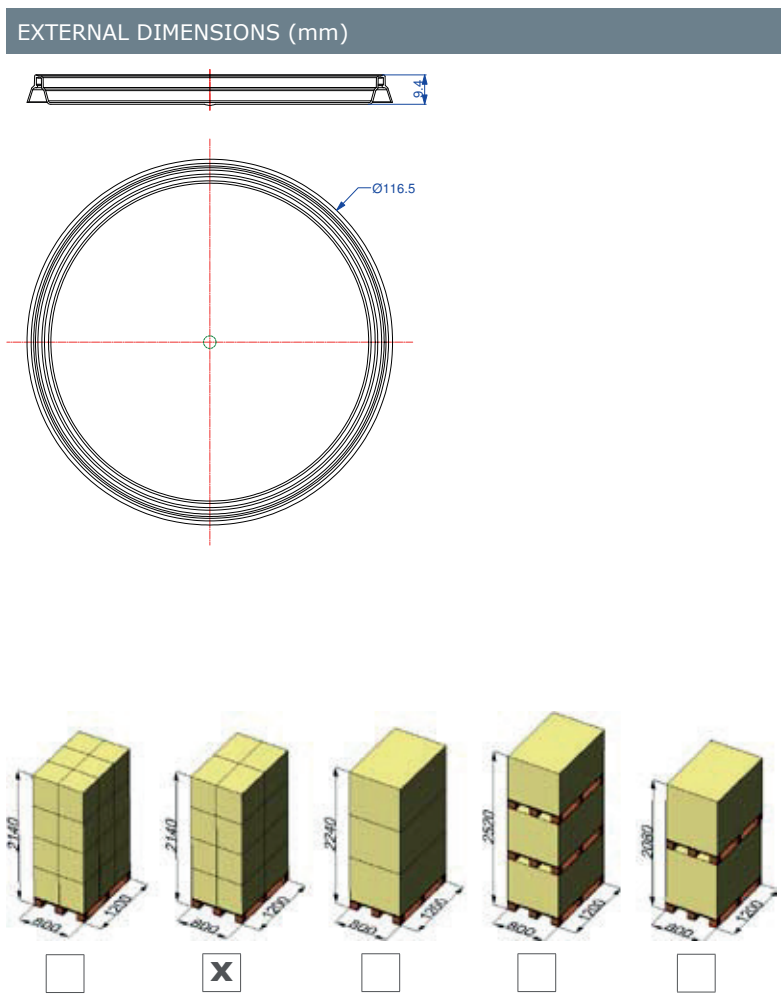
IMAGE



EXTERNAL DIMENSIONS (mm)



MAIN INFORMATION		Coperchio normal Ø 118mm	
Code		359.000	
RAW MATERIAL		CLOSURE SYSTEM	
PP - Polypropylene	X	Snap + Tamper evidence	X
PS - Polystyrene		Membrane seal	
PE - Polyethylene		Easy open Aluminum	
DIMENSION		SUITABLE FOR (Code)	
Weight (g)	8,2	355.000	358.000
		356.000	357.000
DECORATION		FOOD APPROVALS	
I.M.L	X		
PACKING		Box	Palbox
		400 x 400	800 x 1200
		h 500	h 700 h 900
N° x box		1800	
Weight box (Kg)		14,7	
Boxes x pallet		16	
Weight pallet (Kg)		240	
N° x pallet		28800	



MAIN INFORMATION		Coperchio seal Ø 118mm	
Code		360.000	
RAW MATERIAL		CLOSURE SYSTEM	
PP - Polypropylene	X	Snap + Tamper evidence	X
PS - Polystyrene		Membrane seal	
PE - Polyethylene		Easy open Aluminum	
DIMENSION		SUITABLE FOR (Code)	
Weight (g)	9	355.000	358.000
		356.000	357.000
DECORATION		FOOD APPROVALS	
I.M.L	X		
PACKING		Box	Palbox
		400 x 400	800 x 1200
		h 500	h 700 h 900
N° x box		1740	
Weight box (Kg)		15,6	
Boxes x pallet		16	
Weight pallet (Kg)		255	
N° x pallet		27840	

