



MAIN INFORMATION		Barattolo 0,870 L
Code		<b>358.000</b>

RAW MATERIAL		CLOSURE SYSTEM	
PP - Polypropylene	<b>X</b>	Snap + Tamper evidence	<b>X</b>
PS - Polystyrene		Membrane seal	
PE - Polyethylene		Easy open Aluminum	
Food Approvals			

DIMENSION		LID SUITABLE (Code)	
Weight (g)	<b>31</b>	<b>359.000</b>	
Brimful volume (ml)	<b>945</b>	<b>360.000</b>	
Useful volume (ml)	<b>870</b>		

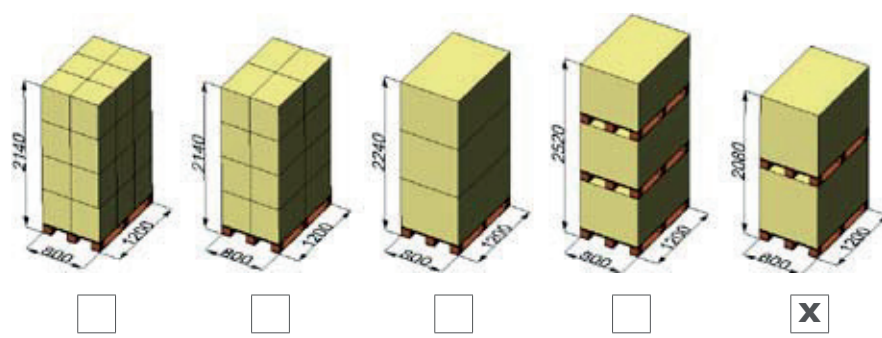
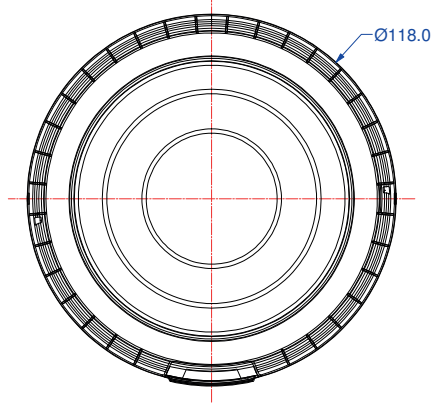
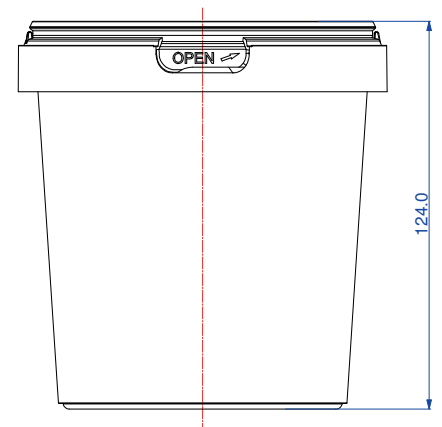
DECORATION	
Adhesive label	
I.M.L	<b>X</b>
I.M.S.	
I.M.S. barrier	

PACKING	Box	Box	Palbox	
	400 x 400 h 500	400 x 600 h 500	h 700	h 900
N° x box				<b>3180</b>
Weight box (Kg)				<b>99</b>
Boxes x pallet				<b>2</b>
Weight pallet				<b>203</b>
N° x pallet				<b>6360</b>

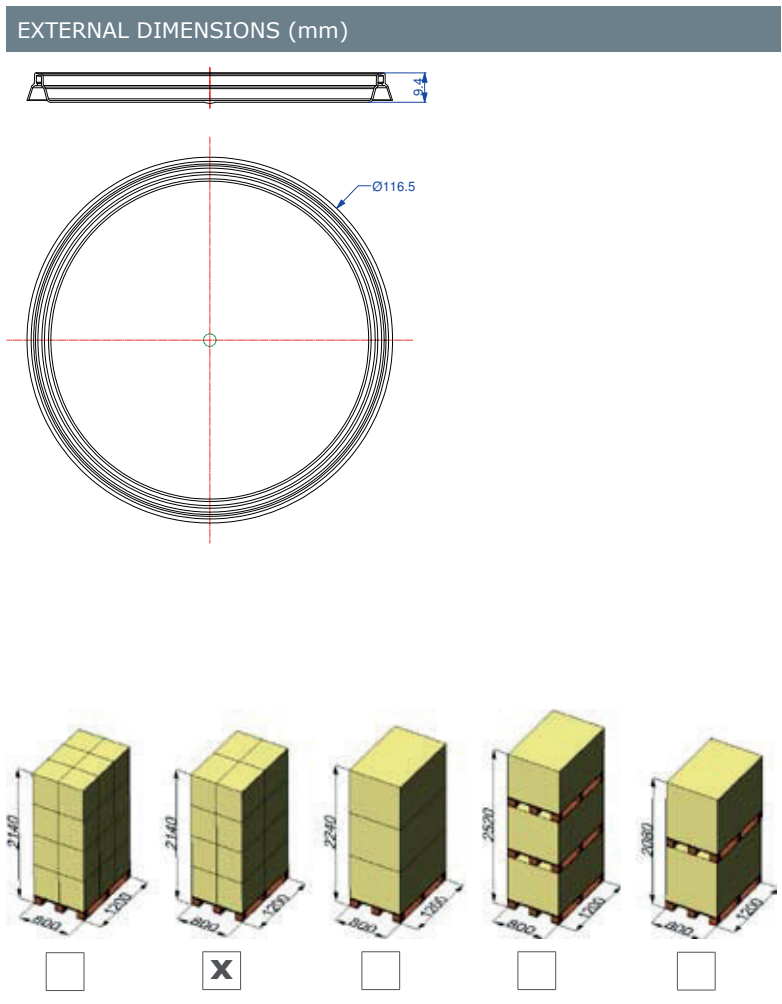
IMAGE



EXTERNAL DIMENSIONS (mm)



MAIN INFORMATION		Coperchio normal Ø 118mm	
Code		<b>359.000</b>	
RAW MATERIAL		CLOSURE SYSTEM	
PP - Polypropylene	<b>X</b>	Snap + Tamper evidence	<b>X</b>
PS - Polystyrene		Membrane seal	
PE - Polyethylene		Easy open Aluminum	
DIMENSION		SUITABLE FOR (Code)	
Weight (g)	<b>8,2</b>	<b>355.000</b>	<b>358.000</b>
		<b>356.000</b>	<b>357.000</b>
DECORATION		FOOD APPROVALS	
I.M.L	<b>X</b>		
PACKING		Box	Palbox
		400 x 600	800 x 1200
		h 500	h 700   h 900
N° x box		<b>1800</b>	
Weight box (Kg)		<b>14,7</b>	
Boxes x pallet		<b>16</b>	
Weight pallet (Kg)		<b>240</b>	
N° x pallet		<b>28800</b>	



MAIN INFORMATION		Coperchio seal Ø 118mm	
Code		<b>360.000</b>	
RAW MATERIAL		CLOSURE SYSTEM	
PP - Polypropylene	<b>X</b>	Snap + Tamper evidence	<b>X</b>
PS - Polystyrene		Membrane seal	
PE - Polyethylene		Easy open Aluminum	
DIMENSION		SUITABLE FOR (Code)	
Weight (g)	<b>9</b>	<b>355.000</b>	<b>358.000</b>
		<b>356.000</b>	<b>357.000</b>
DECORATION		FOOD APPROVALS	
I.M.L	<b>X</b>		
PACKING		Box	Palbox
		400 x 600	800 x 1200
		h 500	h 700   h 900
N° x box		<b>1740</b>	
Weight box (Kg)		<b>15,6</b>	
Boxes x pallet		<b>16</b>	
Weight pallet (Kg)		<b>255</b>	
N° x pallet		<b>27840</b>	

