



MAIN INFORMATION		Barattolo Noberasco 0,816 L
Code		376.000

RAW MATERIAL		CLOSURE SYSTEM	
PP - Polypropylene	X	Snap + Tamper evidence	
PS - Polystyrene		Membrane seal	X
PE - Polyethylene		Easy open Aluminum	
Food Approvals			

DIMENSION		LID SUITABLE (Code)	
Weight (g)	44	374.000	
Brimful volume (ml)	816		
Useful volume (ml)	816		

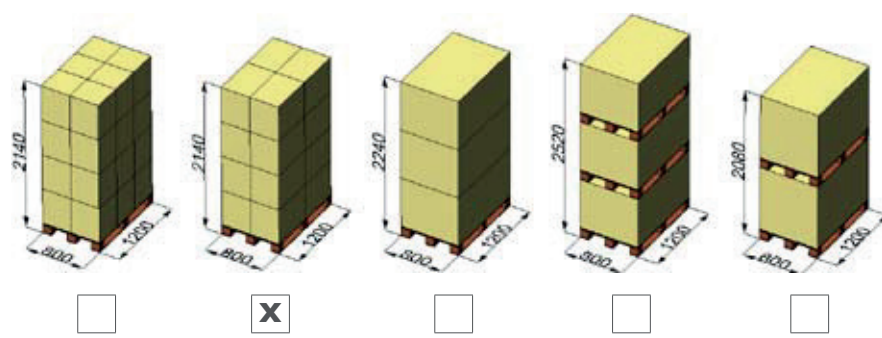
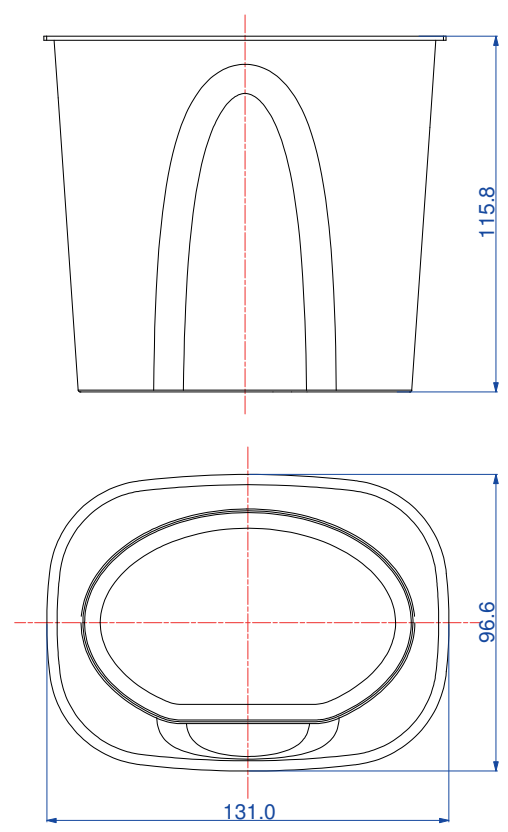
DECORATION			
Adhesive label		Offset	
I.M.L	X	Skinny	
I.M.S.		Other	
I.M.S. barrier			

PACKING	Box		Palbox	
	400 x 400 h 500	400 x 600 h 500	800 x 1200 h 700	800 x 1200 h 900
N° x box		468		
Weight box (Kg)		21		
Boxes x pallet		12		
Weight pallet (Kg)		252		
N° x pallet		5616		

IMAGE



EXTERNAL DIMENSIONS (mm)



MAIN INFORMATION		Coperchio Noberasco 0,816 L	
Code		374.000	
RAW MATERIAL		CLOSURE SYSTEM	
PP - Polypropylene	X	Snap + Tamper evidence	X
PS - Polystyrene		Membrane seal	
PE - Polyethylene		Easy open Aluminum	
DIMENSION		SUITABLE FOR (Code)	
Weight (g)	12	376.000	
DECORATION		FOOD APPROVALS	
I.M.L	X		
PACKING		Box	Palbox
		400 x 400	800 x 1200
		h 500	h 700 h 900
N° x box		1328	
Weight box (Kg)		17	
Boxes x pallet		12	
Weight pallet (Kg)		204	
N° x pallet		15936	

EXTERNAL DIMENSIONS (mm)

15.0

100.7

135.4