



MAIN INFORMATION		Barattolo round 0,218 L
Code		388.000

RAW MATERIAL		CLOSURE SYSTEM	
PP - Polypropylene	X	Snap + Tamper evidence	X
PS - Polystyrene		Membrane seal	
PE - Polyethylene		Easy open Aluminum	
Food Approvals			

DIMENSION		LID SUITABLE (Code)	
Weight (g)	10	304.000	
Brimful volume (ml)	218		
Useful volume (ml)	178		

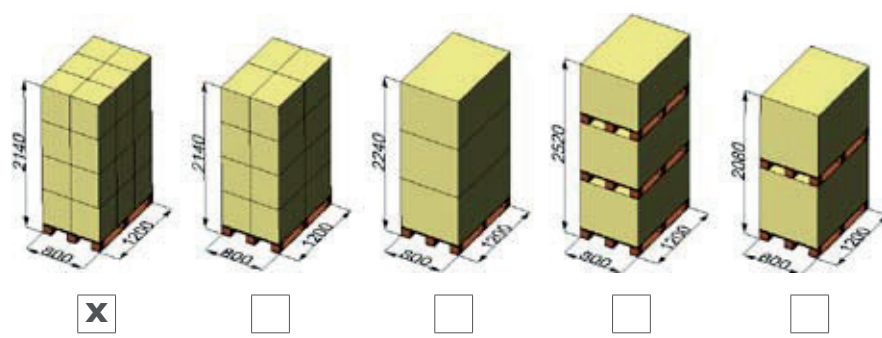
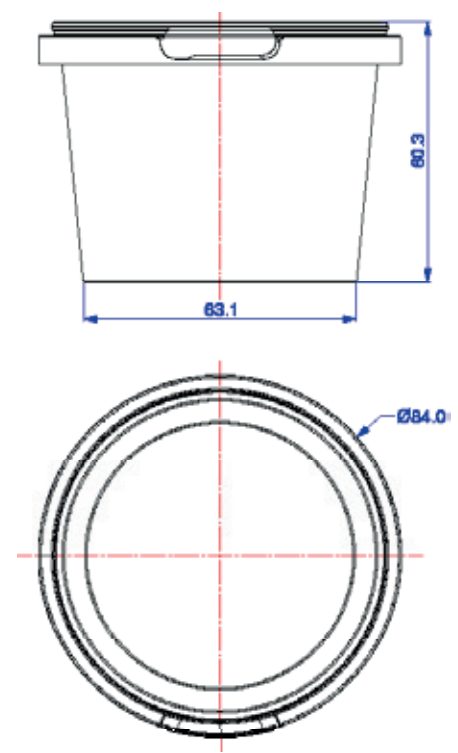
DECORATION	
Adhesive label	Offset
I.M.L	X Skinny
I.M.S.	Other
I.M.S. barrier	

PACKING	Box	Box	Palbox	
	400 x 400 h 500	400 x 600 h 500	h 700	h 900
N° x box	920			
Weight box (Kg)	10			
Boxes x pallet	24			
Weight pallet (Kg)	240			
N° x pallet	22080			

IMAGE



EXTERNAL DIMENSIONS (mm)



MAIN INFORMATION		Coperchio 0,22 L c.c. a. c.c.	
Code		304.000	
RAW MATERIAL		CLOSURE SYSTEM	
PP - Polypropylene	X	Snap + Tamper evidence	X
PS - Polystyrene		Membrane seal	
PE - Polyethylene		Easy open Aluminum	
DIMENSION		SUITABLE FOR (Code)	
Weight (g)	5	303.000	316.000
		321.000	322.000
		327.000	344.000
DECORATION		FOOD APPROVALS	
Adhesive label	X		
PACKING		Box	Palbox
		400 x 400	800 x 1200
		h 500	h 700 h 900
N° x box	1800		
Weight box (Kg)	12,6		
Boxes x pallet	24		
Weight pallet (Kg)	307		
N° x pallet	43200		

EXTERNAL DIMENSIONS (mm)