



MAIN INFORMATION		Vaschetta 1 L ovale s.s.
Code		402.000

RAW MATERIAL		CLOSURE SYSTEM	
PP - Polypropylene	X	Snap + Tamper evidence	
PS - Polystyrene		Membrane seal	X
PE - Polyethylene		Easy open Aluminum	
Food Approvals			

DIMENSION		LID SUITABLE (Code)	
Weight (g)	33	403.000	
Brimful volume (ml)	1078		
Useful volume (ml)	1000		

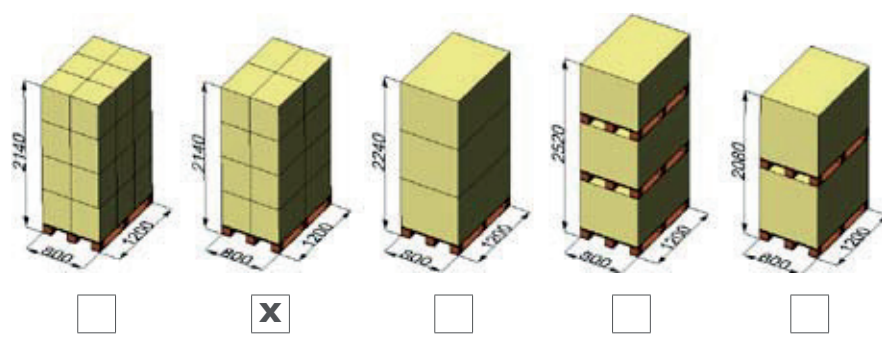
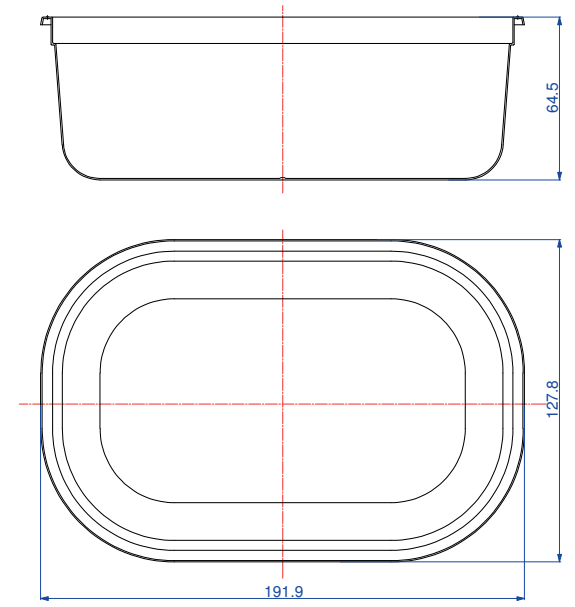
DECORATION			
Adhesive label		Offset	
I.M.L	X	Skinny	
I.M.S.		Other	
I.M.S. barrier			

PACKING	Box		Palbox	
	400 x 400 h 500	400 x 600 h 500	800 x 1200 h 700	800 x 1200 h 900
N° x box		282		
Weight box (Kg)		9,3		
Boxes x pallet		16		
Weight pallet (Kg)		154		
N° x pallet		4512		

IMAGE



EXTERNAL DIMENSIONS (mm)



MAIN INFORMATION

Coperchio 1 L ovale s.s.

Code **403.000**

RAW MATERIAL

PP - Polypropylene **X**
 PS - Polystyrene
 PE - Polyethylene

CLOSURE SYSTEM

Snap + Tamper evidence **X**
 Membrane seal
 Easy open Aluminum

DIMENSION

Weight (g) **20** **402.000**

DECORATION

I.M.L. **X**

FOOD APPROVALS



PACKING

	Box	Box	Palbox	
	400 x 400	400 x 600	800 x 1200	
	h 500	h 500	h 700	h 900
N° x box	550			
Weight box (Kg)	8,4			
Boxes x pallet	24			
Weight pallet (Kg)	206,9			
N° x pallet	13200			

EXTERNAL DIMENSIONS (mm)

