



MAIN INFORMATION		Vaschetta 1 L ovale c.s.
Code		404.000

IMAGE

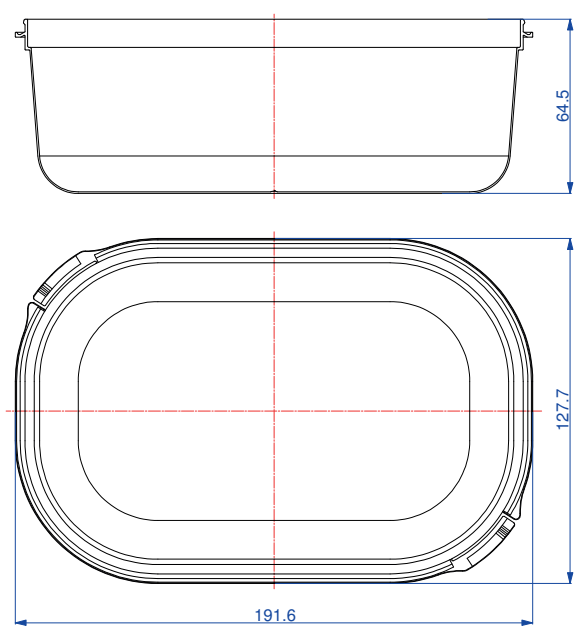


RAW MATERIAL		CLOSURE SYSTEM	
PP - Polypropylene	X	Snap + Tamper evidence	X
PS - Polystyrene		Membrane seal	
PE - Polyethylene		Easy open Aluminum	
Food Approvals			

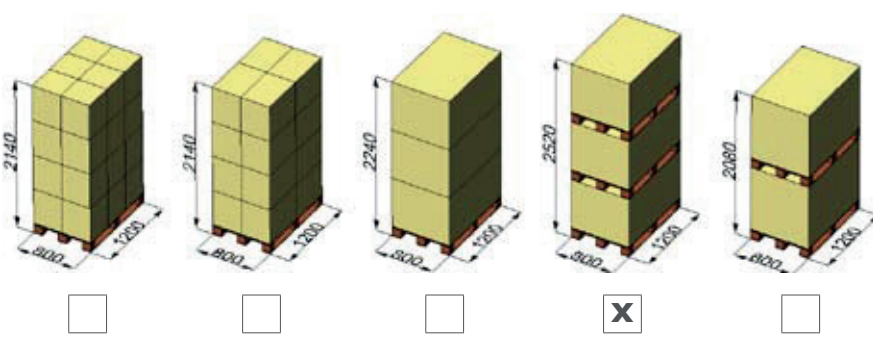
DIMENSION		LID SUITABLE (Code)	
Weight (g)	36,5	405.000	
Brimful volume (ml)	1078		
Useful volume (ml)	1000		

DECORATION	
Adhesive label	Offset
I.M.L	X Skinny
I.M.S.	Other
I.M.S. barrier	

EXTERNAL DIMENSIONS (mm)



PACKING	Box		Palbox	
	400 x 400 h 500	400 x 600 h 500	h 700	h 900
N° x box			1980	
Weight box (Kg)			72,3	
Boxes x pallet			3	
Weight pallet (Kg)			232	
N° x pallet			5940	



MAIN INFORMATION		Coperchio 0,75 - 1 L ovale c.s	
Code		405.000	
RAW MATERIAL		CLOSURE SYSTEM	
PP - Polypropylene	X	Snap + Tamper evidence	X
PS - Polystyrene		Membrane seal	
PE - Polyethylene		Easy open Aluminum	
DIMENSION		SUITABLE FOR (Code)	
Weight (g)	17,5	404.000	422.000
DECORATION		FOOD APPROVALS	
I.M.L	X		
PACKING		Box	Palbox
		400 x 400	800 x 1200
		h 500	h 700 h 900
N° x box	900		
Weight box (Kg)	13,7		
Boxes x pallet	24		
Weight pallet (Kg)	334,1		
N° x pallet	21600		

EXTERNAL DIMENSIONS (mm)

5.7
124.9
188.8

X