



MAIN INFORMATION		Vaschetta 1 L ellisse b.q. s.s.
Code		406.000

RAW MATERIAL		CLOSURE SYSTEM	
PP - Polypropylene	X	Snap + Tamper evidence	
PS - Polystyrene		Membrane seal	X
PE - Polyethylene		Easy open Aluminum	
Food Approvals			

DIMENSION		LID SUITABLE (Code)
Weight (g)	32	407.000
Brimful volume (ml)	1134	
Useful volume (ml)	1000	

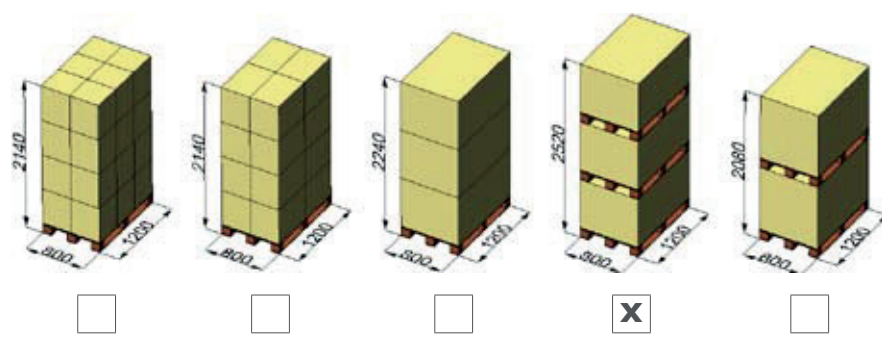
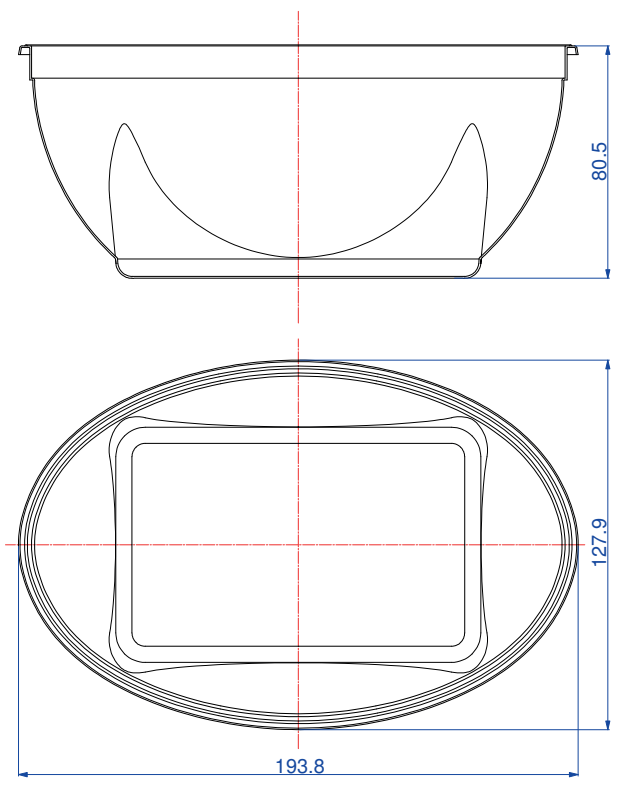
DECORATION			
Adhesive label		Offset	
I.M.L	X	Skinny	
I.M.S.		Other	
I.M.S. barrier			

PACKING	Box		Palbox	
	400 x 400 h 500	400 x 600 h 500	h 700	h 900
N° x box			1620	
Weight box (Kg)			51,8	
Boxes x pallet			3	
Weight pallet (Kg)			170	
N° x pallet			4860	

IMAGE



EXTERNAL DIMENSIONS (mm)



MAIN INFORMATION		Coperchio ellisse s.s.	
Code	407.000		
RAW MATERIAL		CLOSURE SYSTEM	
PP - Polypropylene	X	Snap + Tamper evidence	X
PS - Polystyrene		Membrane seal	
PE - Polyethylene		Easy open Aluminum	
DIMENSION		SUITABLE FOR (Code)	
Weight (g)	13,8	406.000	
DECORATION		FOOD APPROVALS	
I.M.L	X		
PACKING		Box	Palbox
		400 x 400	800 x 1200
		h 500	h 700 h 900
N° x box	540		
Weight box (Kg)	7,5		
Boxes x pallet	24		
Weight pallet (Kg)	185		
N° x pallet	12960		

EXTERNAL DIMENSIONS (mm)

12.5

197.8

132.0

X