



MAIN INFORMATION		Vaschetta 1,5 L qua. s.s
Code		410.000

RAW MATERIAL		CLOSURE SYSTEM	
PP - Polypropylene	X	Snap + Tamper evidence	X
PS - Polystyrene		Membrane seal	
PE - Polyethylene		Easy open Aluminum	
Food Approvals			

DIMENSION		LID SUITABLE (Code)
Weight (g)	47	411.000
Brimful volume (ml)	1748	
Useful volume (ml)	1500	

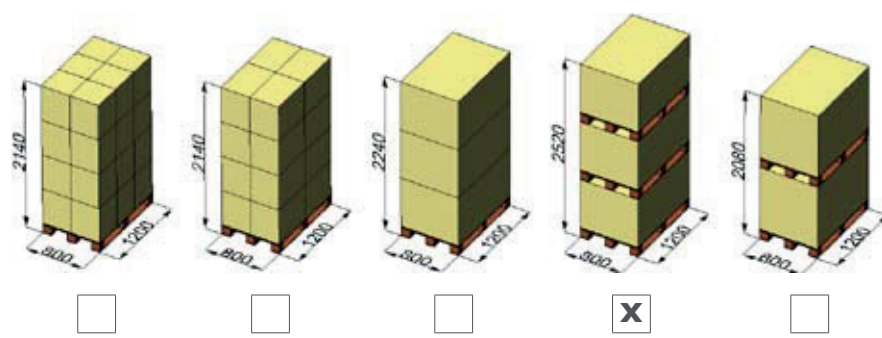
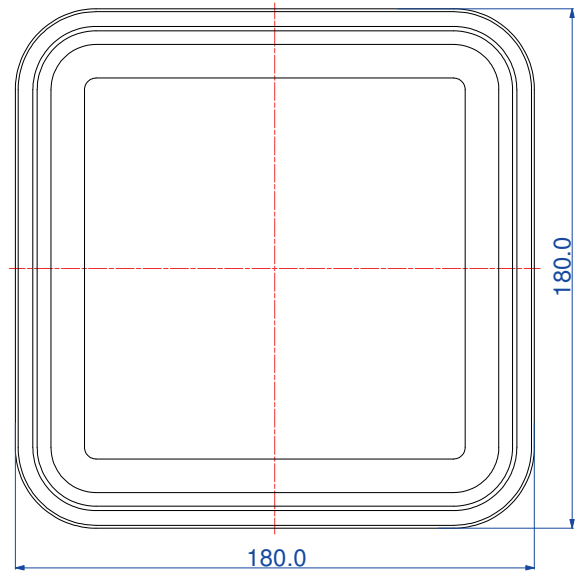
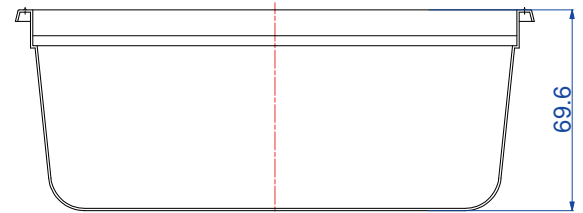
DECORATION	
Adhesive label	Offset
I.M.L	X Skinny
I.M.S.	Other
I.M.S. barrier	

PACKING	Box	Box	Palbox	
	400 x 400 h 500	400 x 600 h 500	800 x 1200 h 700	800 x 1200 h 900
N° x box			1128	
Weight box (Kg)			58,3	
Boxes x pallet			3	
Weight pallet (Kg)			190,8	
N° x pallet			3384	

IMAGE



EXTERNAL DIMENSIONS (mm)



MAIN INFORMATION Coperchio 1,5 - 2 L qua s.s.

Code **411.000**

RAW MATERIAL **CLOSURE SYSTEM**

PP - Polypropylene	X	Snap + Tamper evidence	X
PS - Polystyrene		Membrane seal	
PE - Polyethylene		Easy open Aluminum	

DIMENSION **SUITABLE FOR (Code)**

Weight (g)	32,6	410.000
		412.000

DECORATION **FOOD APPROVALS**

I.M.L **X**

PACKING **Box** **Box** **Palbox**

	400 x 400	400 x 600	800 x 1200	
	h 500	h 500	h 700	h 900
N° x box	340			
Weight box (Kg)	10,7			
Boxes x pallet	24			
Weight pallet (Kg)	626			
N° x pallet	8160			

EXTERNAL DIMENSIONS (mm)

