



MAIN INFORMATION		Vaschetta 0,35 L rett s.s.
Code		413.000

IMAGE

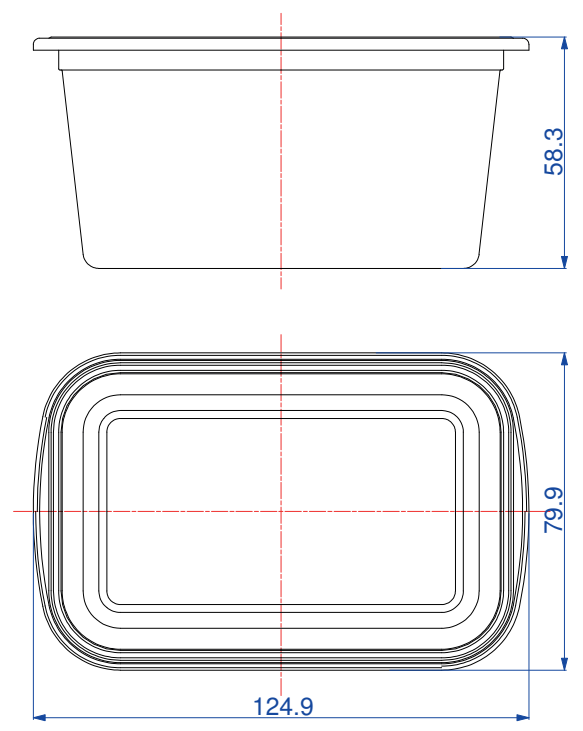


RAW MATERIAL		CLOSURE SYSTEM	
PP - Polypropylene	X	Snap + Tamper evidence	
PS - Polystyrene		Membrane seal	X
PE - Polyethylene		Easy open Aluminum	
Food Approvals			

DIMENSION	LID/CUP SUITABLE (Code)
Weight (g)	15
Brimful volume (ml)	388
Useful volume (ml)	350

DECORATION	
Adhesive label	Offset
I.M.L	X Skinny
I.M.S.	Other
I.M.S. barrier	

EXTERNAL DIMENSIONS (mm)



PACKING	Box	Box	Palbox		
	400 x 400 h 500	400 x 600 h 500	800 x 1200 h 700	h 900	
N° x box	780				
Weight box (Kg)	11,7				
Boxes x pallet	18				
Weight pallet (Kg)	215				
N° x pallet	14040				

