



| MAIN INFORMATION |  | Vaschetta 0,5 L ret s.s. |
|------------------|--|--------------------------|
| Code             |  | <b>414.000</b>           |

IMAGE

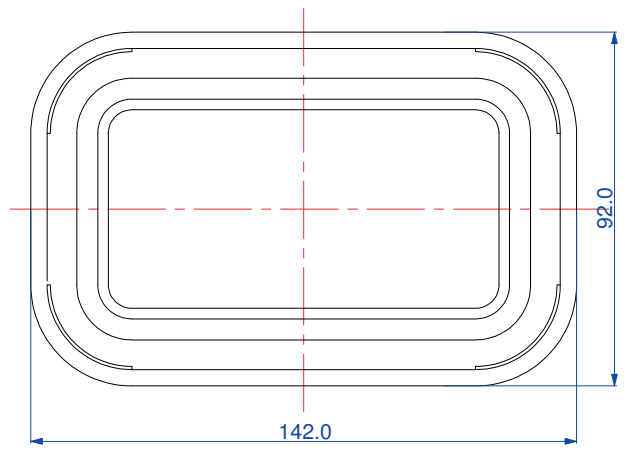
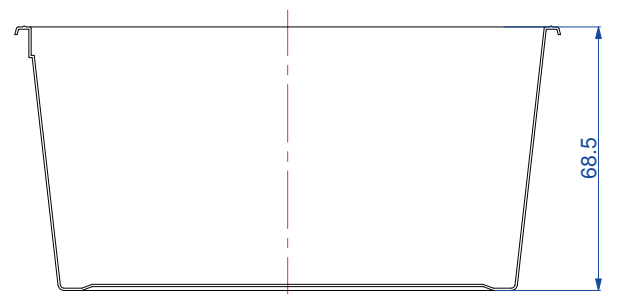


| RAW MATERIAL       |          | CLOSURE SYSTEM         |          |
|--------------------|----------|------------------------|----------|
| PP - Polypropylene | <b>X</b> | Snap + Tamper evidence |          |
| PS - Polystyrene   |          | Membrane seal          | <b>X</b> |
| PE - Polyethylene  |          | Easy open Aluminum     |          |
| Food Approvals     |          |                        |          |

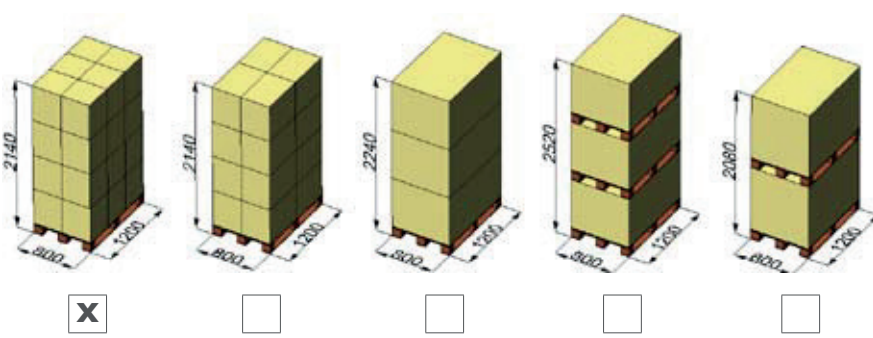
| DIMENSION           |            | LID SUITABLE (Code) |
|---------------------|------------|---------------------|
| Weight (g)          | <b>21</b>  | <b>415.000</b>      |
| Brimful volume (ml) | <b>500</b> |                     |
| Useful volume (ml)  | <b>500</b> |                     |

| DECORATION     |                 |
|----------------|-----------------|
| Adhesive label | Offset          |
| I.M.L          | <b>X</b> Skinny |
| I.M.S.         | Other           |
| I.M.S. barrier |                 |

EXTERNAL DIMENSIONS (mm)



| PACKING            | Box          |           | Palbox     |            |
|--------------------|--------------|-----------|------------|------------|
|                    | 400 x 400    | 400 x 600 | 800 x 1200 | 800 x 1200 |
|                    | h 500        | h 500     | h 700      | h 900      |
| N° x box           | <b>520</b>   |           |            |            |
| Weight box (Kg)    | <b>11</b>    |           |            |            |
| Boxes x pallet     | <b>24</b>    |           |            |            |
| Weight pallet (Kg) | <b>269</b>   |           |            |            |
| N° x pallet        | <b>12480</b> |           |            |            |



| MAIN INFORMATION   |              | Coperchio 0,25 - 0,5 rett. s.s. |                |
|--------------------|--------------|---------------------------------|----------------|
| Code               |              | <b>415.000</b>                  |                |
| RAW MATERIAL       |              | CLOSURE SYSTEM                  |                |
| PP - Polypropylene | <b>X</b>     | Snap + Tamper evidence          | <b>X</b>       |
| PS - Polystyrene   |              | Membrane seal                   |                |
| PE - Polyethylene  |              | Easy open Aluminum              |                |
| DIMENSION          |              | SUITABLE FOR (Code)             |                |
| Weight (g)         | <b>11</b>    | <b>414.000</b>                  | <b>424.000</b> |
| DECORATION         |              | FOOD APPROVALS                  |                |
| I.M.L              | <b>X</b>     |                                 |                |
| PACKING            |              | Box                             | Palbox         |
|                    |              | 400 x 400                       | 800 x 1200     |
|                    |              | h 500                           | h 700    h 900 |
| N° x box           | <b>1100</b>  |                                 |                |
| Weight box (Kg)    | <b>12,1</b>  |                                 |                |
| Boxes x pallet     | <b>24</b>    |                                 |                |
| Weight pallet (Kg) | <b>290</b>   |                                 |                |
| N° x pallet        | <b>26400</b> |                                 |                |

**EXTERNAL DIMENSIONS (mm)**

**X**