



MAIN INFORMATION	
Vaschetta 0,2 L ret s.s.	
Code	416.000

IMAGE

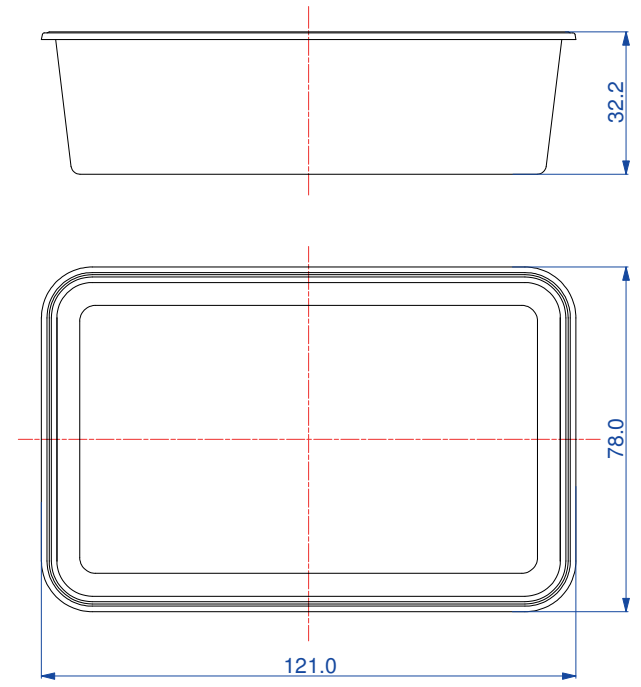


RAW MATERIAL		CLOSURE SYSTEM	
PP - Polypropylene	X	Snap + Tamper evidence	
PS - Polystyrene		Membrane seal	X
PE - Polyethylene		Easy open Aluminum	
Food Approvals			

DIMENSION		LID/CUP SUITABLE (Code)	
Weight (g)	9		
Brimful volume (ml)	200		
Useful volume (ml)	200		

DECORATION	
Adhesive label	Offset
I.M.L	X Skinny
I.M.S.	Other
I.M.S. barrier	

EXTERNAL DIMENSIONS (mm)



PACKING	Box		Palbox	
	400 x 400 h 500	400 x 600 h 500	800 x 1200 h 700	800 x 1200 h 900
N° x box	1305			
Weight box (Kg)	11,7			
Boxes x pallet	24			
Weight pallet (Kg)	286			
N° x pallet	31320			

