



MAIN INFORMATION		Vassoio
Code		417.000

RAW MATERIAL		CLOSURE SYSTEM	
PP - Polypropylene	X	Snap + Tamper evidence	X
PS - Polystyrene		Membrane seal	
PE - Polyethylene		Easy open Aluminum	
Food Approvals			

DIMENSION		LID SUITABLE (Code)
Weight (g)	39,2	418.000
Brimful volume (ml)		
Useful volume (ml)		

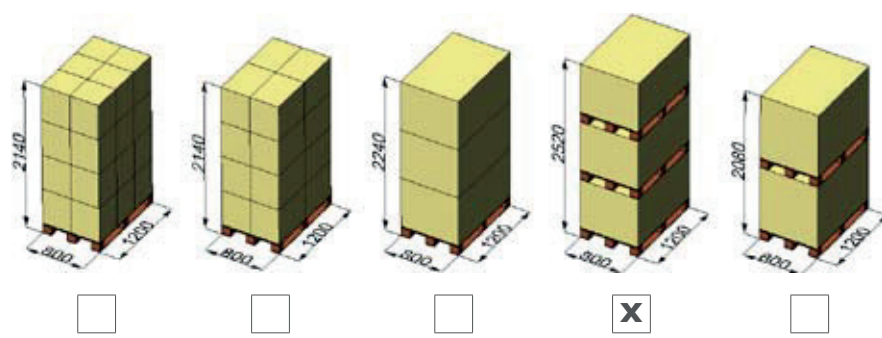
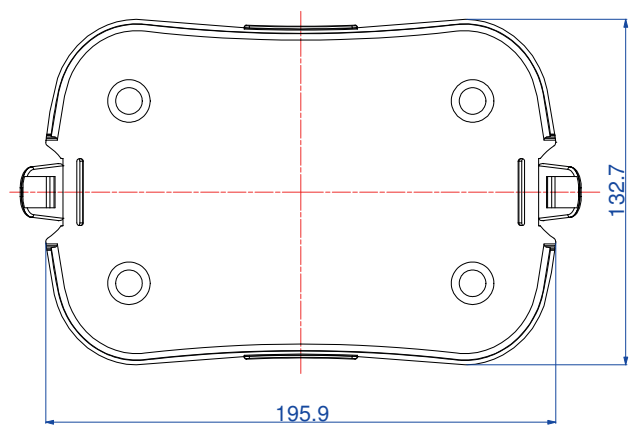
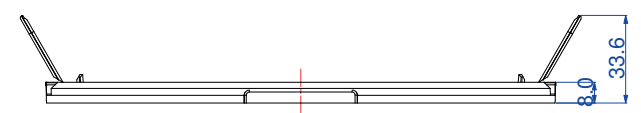
DECORATION	
Adhesive label	
I.M.L	X
I.M.S.	
I.M.S. barrier	

PACKING	Box	Box	Palbox	
	400 x 400	400 x 600	800 x 1200	
	h 500	h 500	h 700	h 900
N° x box			2552	
Weight box (Kg)			105,3	
Boxes x pallet			3	
Weight pallet (Kg)			331,8	
N° x pallet			7656	

IMAGE



EXTERNAL DIMENSIONS (mm)



MAIN INFORMATION		Cupola	
Code		418.000	
RAW MATERIAL		CLOSURE SYSTEM	
PP - Polypropylene	X	Snap + Tamper evidence	X
PS - Polystyrene		Membrane seal	
PE - Polyethylene		Easy open Aluminum	
DIMENSION		SUITABLE FOR (Code)	
Weight (g)	51	417.000	
DECORATION		FOOD APPROVALS	
I.M.L	X		
PACKING		Box	Palbox
		400 x 400 h 500	800 x 1200 h 700 h 900
N° x box			1044
Weight box (Kg)			60
Boxes x pallet			3
Weight pallet (Kg)			195,9
N° x pallet			3132

EXTERNAL DIMENSIONS (mm)

76.8

194.1

131.6

2140 800 1200

2140 800 1200

2240 800 1200

2520 800 1200

2080 800 1200