



MAIN INFORMATION		Vaschetta 0,75 L ovale c.s.
Code		<b>422.000</b>

RAW MATERIAL		CLOSURE SYSTEM	
PP - Polypropylene	<b>X</b>	Snap + Tamper evidence	<b>X</b>
PS - Polystyrene		Membrane seal	
PE - Polyethylene		Easy open Aluminum	
Food Approvals			

DIMENSION		LID SUITABLE (Code)
Weight (g)	<b>30</b>	<b>405.000</b>
Brimful volume (ml)	<b>820</b>	
Useful volume (ml)	<b>750</b>	

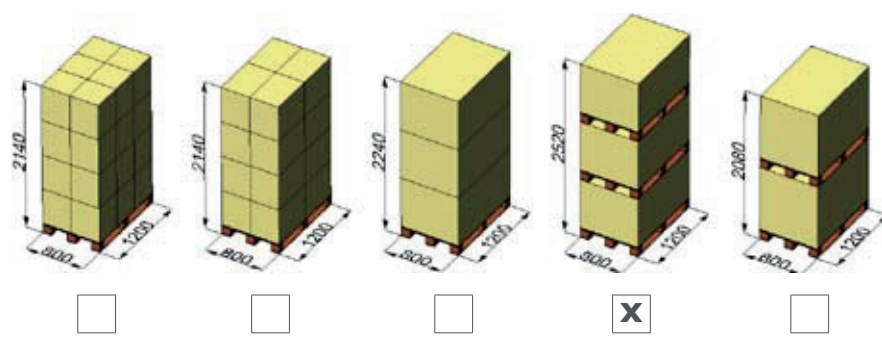
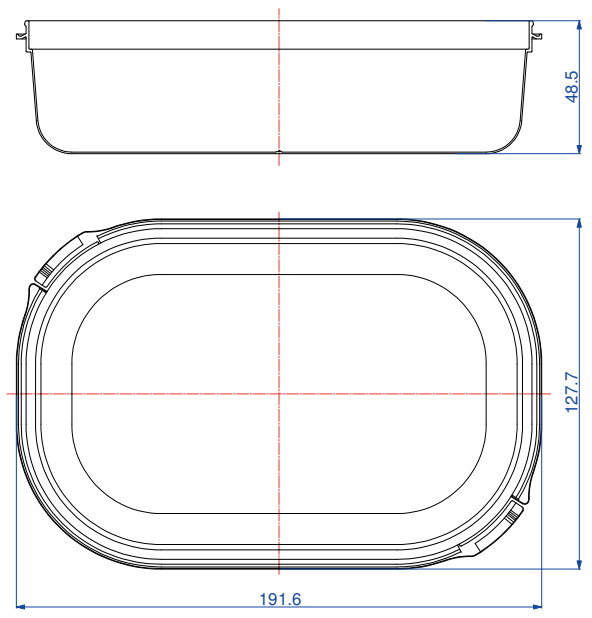
DECORATION	
Adhesive label	Offset
I.M.L	<b>X</b> Skinny
I.M.S.	Other
I.M.S. barrier	

PACKING	Box	Box	Palbox	
	400 x 400 h 500	400 x 600 h 500	800 x 1200 h 700	h 900
N° x box			<b>2016</b>	
Weight box (Kg)			<b>60,5</b>	
Boxes x pallet			<b>3</b>	
Weight pallet (Kg)			<b>197</b>	
N° x pallet			<b>6048</b>	

IMAGE



EXTERNAL DIMENSIONS (mm)



MAIN INFORMATION		Coperchio 0,75 - 1 L ovale c.s	
Code		<b>405.000</b>	
RAW MATERIAL		CLOSURE SYSTEM	
PP - Polypropylene	<b>X</b>	Snap + Tamper evidence	<b>X</b>
PS - Polystyrene		Membrane seal	
PE - Polyethylene		Easy open Aluminum	
DIMENSION		SUITABLE FOR (Code)	
Weight (g)	<b>17,5</b>	<b>404.000</b>	<b>422.000</b>
DECORATION		FOOD APPROVALS	
I.M.L	<b>X</b>		
PACKING		Box	Palbox
		400 x 400	800 x 1200
		h 500	h 700    h 900
N° x box	<b>900</b>		
Weight box (Kg)	<b>13,7</b>		
Boxes x pallet	<b>24</b>		
Weight pallet (Kg)	<b>334,1</b>		
N° x pallet	<b>21600</b>		

**EXTERNAL DIMENSIONS (mm)**

5.7  
124.9  
188.8

**X**