



MAIN INFORMATION	
Code	428.000

IMAGE

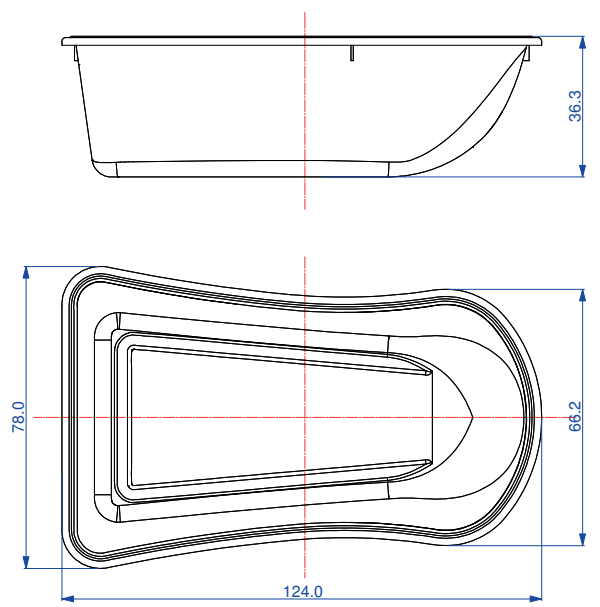


RAW MATERIAL		CLOSURE SYSTEM	
PP - Polypropylene	X	Snap + Tamper evidence	
PS - Polystyrene		Membrane seal	X
PE - Polyethylene		Easy open Aluminum	
Food Approvals			

DIMENSION		LID/CUP SUITABLE (Code)
Weight (g)	9,4	
Brimful volume (ml)	128	
Useful volume (ml)	128	

DECORATION	
Adhesive label	Offset
I.M.L	X Skinny
I.M.S.	Other
I.M.S. barrier	

EXTERNAL DIMENSIONS (mm)



PACKING	Box	Box	Palbox	
	400 x 400 h 500	400 x 600 h 500	800 x 1200 h 700	800 x 1200 h 900
N° x box	1125			
Weight box (Kg)	10,6			
Boxes x pallet	24			
Weight pallet (Kg)	260			
N° x pallet	27000			

