



MAIN INFORMATION		Vaschetta 0,48 L tronco piramide
Code		433.000

RAW MATERIAL		CLOSURE SYSTEM	
PP - Polypropylene	X	Snap + Tamper evidence	
PS - Polystyrene		Membrane seal	X
PE - Polyethylene		Easy open Aluminum	
Food Approvals			

DIMENSION		LID SUITABLE (Code)
Weight (g)	22	434.000
Brimful volume (ml)	480	
Useful volume (ml)	417	

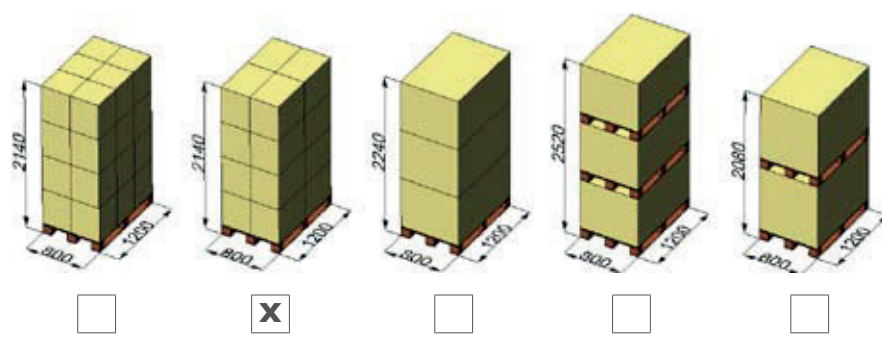
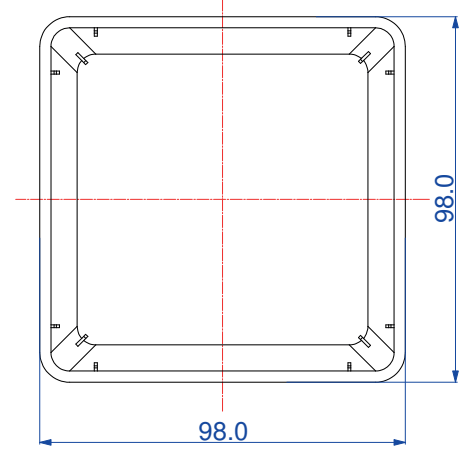
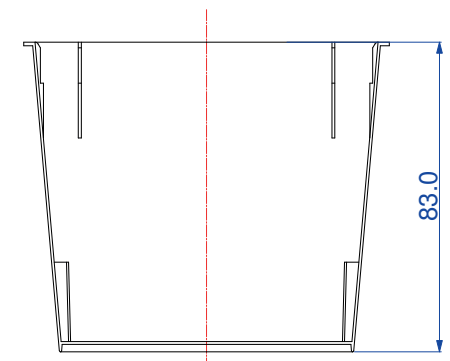
DECORATION		
Adhesive label		Offset
I.M.L		Skinny
I.M.S.		Other
I.M.S. barrier	X	

PACKING	Box	Box	Palbox	
	400 x 400 h 500	400 x 600 h 500	800 x 1200 h 700	h 900
N° x box		408		
Weight box (Kg)		9		
Boxes x pallet		16		
Weight pallet (Kg)		149		
N° x pallet		6528		

IMAGE



EXTERNAL DIMENSIONS (mm)



MAIN INFORMATION		Coperchio tronco	
Code	434.000		
RAW MATERIAL		CLOSURE SYSTEM	
PP - Polypropylene	X	Snap + Tamper evidence	X
PS - Polystyrene		Membrane seal	
PE - Polyethylene		Easy open Aluminum	
DIMENSION		SUITABLE FOR (Code)	
Weight (g)	8	433.000	458.000
DECORATION		FOOD APPROVALS	
I.M.L	X		
PACKING		Box	Palbox
		400 x 400	800 x 1200
		h 500	h 700 h 900
N° x box	1088		
Weight box (Kg)	8,7		
Boxes x pallet	24		
Weight pallet (Kg)	214		
N° x pallet	26112		

EXTERNAL DIMENSIONS (mm)