



MAIN INFORMATION		Vaschetta 0,376 L s.s.
Code		435.000

RAW MATERIAL		CLOSURE SYSTEM	
PP - Polypropylene	X	Snap + Tamper evidence	
PS - Polystyrene		Membrane seal	X
PE - Polyethylene		Easy open Aluminum	
Food Approvals			

DIMENSION		LID SUITABLE (Code)	
Weight (g)	20,2	437.000	
Brimful volume (ml)	376		
Useful volume (ml)	350		

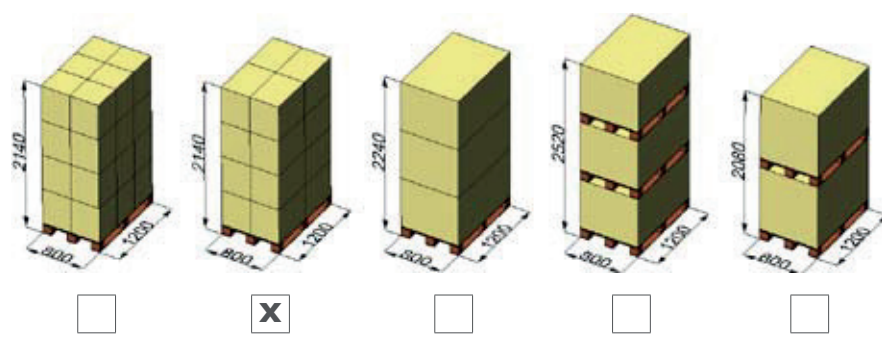
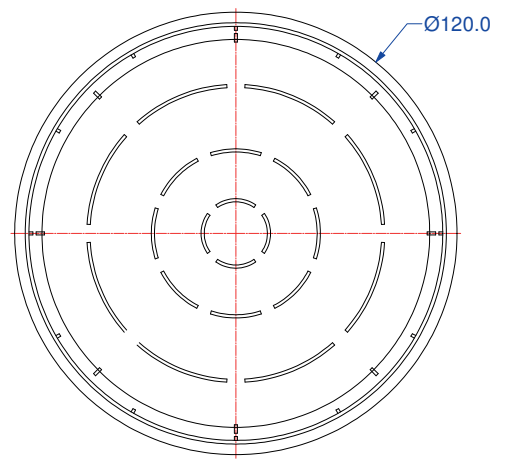
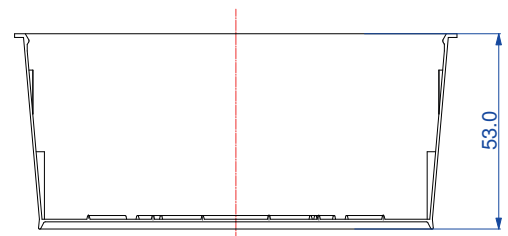
DECORATION			
Adhesive label		Offset	
I.M.L		Skinny	
I.M.S.		Other	
I.M.S. barrier	X		

PACKING	Box		Palbox	
	400 x 400 h 500	400 x 600 h 500	800 x 1200 h 700	800 x 1200 h 900
N° x box		315		
Weight box (Kg)		6,4		
Boxes x pallet		16		
Weight pallet (Kg)		107		
N° x pallet		5040		

IMAGE



EXTERNAL DIMENSIONS (mm)



MAIN INFORMATION		Coperchio + ghig. s.s.	
Code	437.000		
RAW MATERIAL		CLOSURE SYSTEM	
PP - Polypropylene	X	Snap + Tamper evidence	X
PS - Polystyrene		Membrane seal	
PE - Polyethylene		Easy open Aluminum	
DIMENSION		SUITABLE FOR (Code)	
Weight (g)	13,7	435.000	
DECORATION		FOOD APPROVALS	
I.M.L	X		
PACKING		Box	Palbox
		400 x 400	800 x 1200
		h 500	h 700 h 900
N° x box	640		
Weight box (Kg)	8,8		
Boxes x pallet	24		
Weight pallet (Kg)	216		
N° x pallet	15360		

EXTERNAL DIMENSIONS (mm)