



MAIN INFORMATION	
	Vaschetta 0,335 L ovale s.s.
Code	441.000

IMAGE

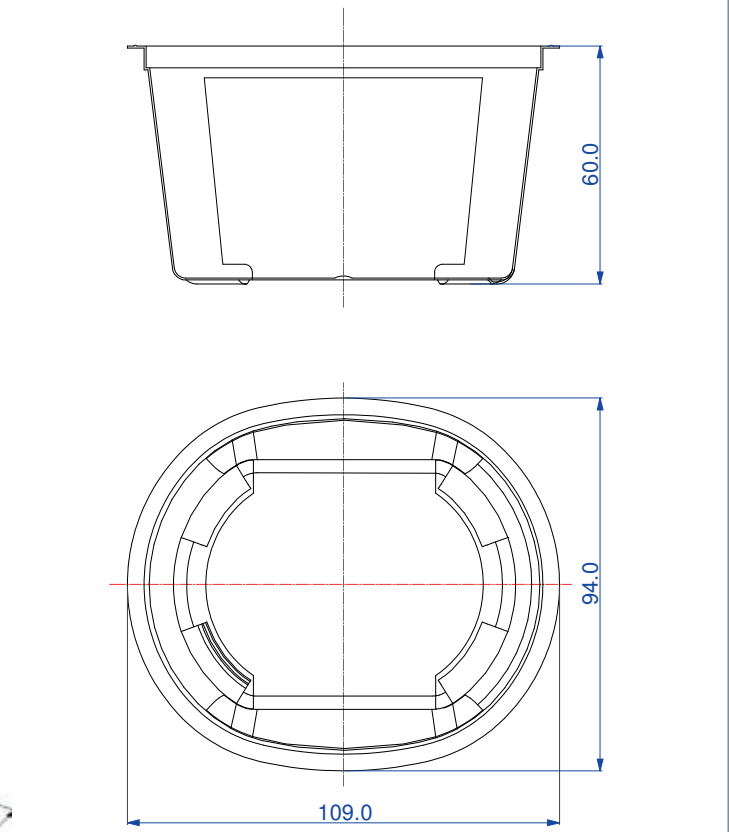


RAW MATERIAL		CLOSURE SYSTEM	
PP - Polypropylene	X	Snap + Tamper evidence	
PS - Polystyrene		Membrane seal	X
PE - Polyethylene		Easy open Aluminum	
Food Approvals			

DIMENSION		LID/CUP SUITABLE (Code)	
Weight (g)	11		
Brimful volume (ml)	335		
Useful volume (ml)	335		

EXTERNAL DIMENSIONS (mm)

DECORATION	
Adhesive label	Offset
I.M.L	X Skinny
I.M.S.	Other
I.M.S. barrier	



PACKING	Box	Box	Palbox	
	400 x 400 h 500	400 x 600 h 500	800 x 1200 h 700	800 x 1200 h 900
N° x box		1056		
Weight box (Kg)		11,6		
Boxes x pallet		16		
Weight pallet (Kg)		190		
N° x pallet		16896		

