



MAIN INFORMATION		Vaschetta 250 g
Code		445.000

RAW MATERIAL		CLOSURE SYSTEM	
PP - Polypropylene	X	Snap + Tamper evidence	
PS - Polystyrene		Membrane seal	X
PE - Polyethylene		Easy open Aluminum	
Food Approvals			

DIMENSION		LID SUITABLE (Code)
Weight (g)	15	447.000
Brimful volume (ml)	320	
Useful volume (ml)	320	

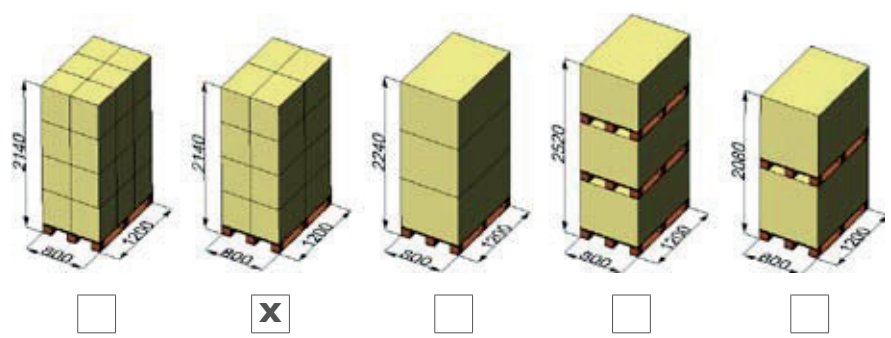
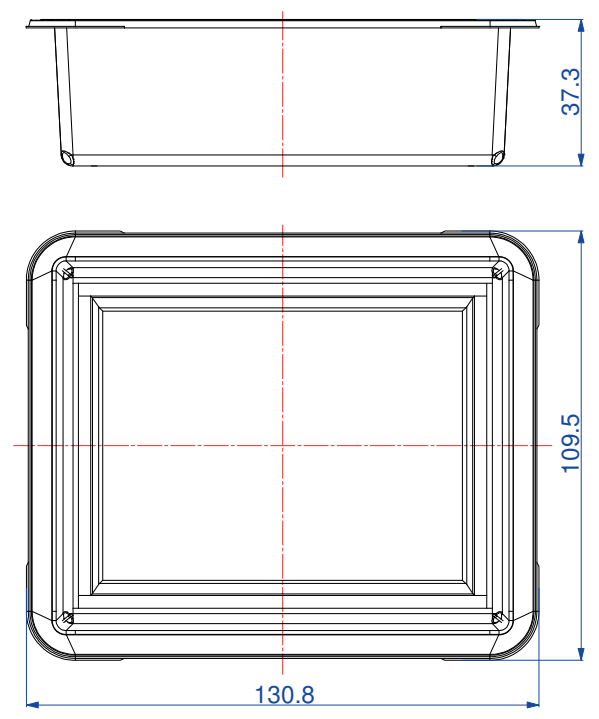
DECORATION	
Adhesive label	Offset
I.M.L	X Skinny
I.M.S.	Other
I.M.S. barrier	

PACKING	Box	Box	Palbox	
	400 x 400 h 500	400 x 600 h 500	h 700	h 900
N° x box		600		
Weight box (Kg)		9		
Boxes x pallet		16		
Weight pallet (Kg)		144		
N° x pallet		9600		

IMAGE



EXTERNAL DIMENSIONS (mm)



MAIN INFORMATION		Coperchio 250 - 500 g	
Code		447.000	
RAW MATERIAL		CLOSURE SYSTEM	
PP - Polypropylene	X	Snap + Tamper evidence	
PS - Polystyrene		Membrane seal	X
PE - Polyethylene		Easy open Aluminum	
DIMENSION		SUITABLE FOR (Code)	
Weight (g)	9,7	445.000	446.000
DECORATION		FOOD APPROVALS	
I.M.L	X		
PACKING		Box	Palbox
		400 x 400	800 x 1200
		h 500	h 700 h 900
N° x box		1660	
Weight box (Kg)		16,1	
Boxes x pallet		16	
Weight pallet (Kg)		263	
N° x pallet		26560	

EXTERNAL DIMENSIONS (mm)