



MAIN INFORMATION		Vaschetta 500 g
Code		<b>446.000</b>

RAW MATERIAL		CLOSURE SYSTEM	
PP - Polypropylene	<b>X</b>	Snap + Tamper evidence	
PS - Polystyrene		Membrane seal	<b>X</b>
PE - Polyethylene		Easy open Aluminum	
Food Approvals			

DIMENSION		LID SUITABLE (Code)
Weight (g)	<b>20</b>	<b>447.000</b>
Brimful volume (ml)	<b>500</b>	
Useful volume (ml)	<b>500</b>	

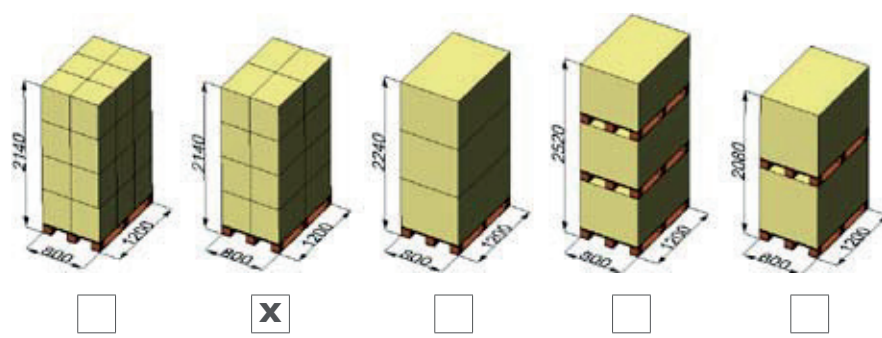
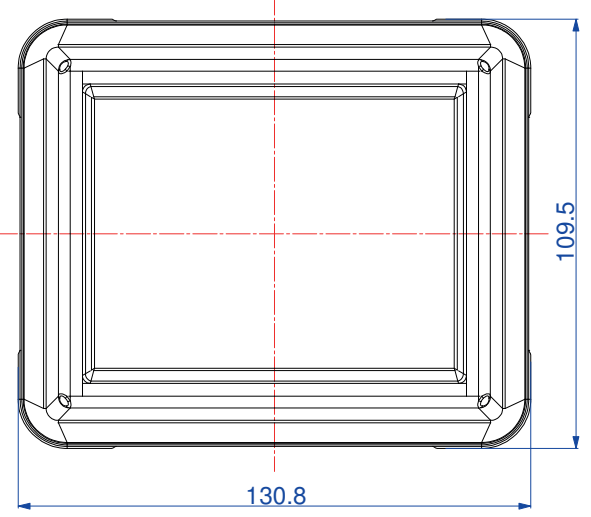
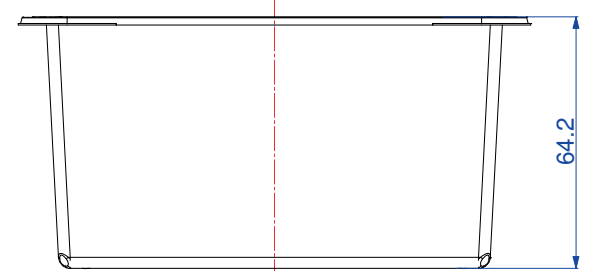
DECORATION	
Adhesive label	Offset
I.M.L	<b>X</b> Skinny
I.M.S.	Other
I.M.S. barrier	

PACKING	Box	Box	Palbox	
	400 x 400 h 500	400 x 600 h 500	800 x 1200 h 700	800 x 1200 h 900
N° x box		<b>540</b>		
Weight box (Kg)		<b>10,8</b>		
Boxes x pallet		<b>16</b>		
Weight pallet (Kg)		<b>178</b>		
N° x pallet		<b>8640</b>		

IMAGE



EXTERNAL DIMENSIONS (mm)



MAIN INFORMATION		Coperchio 250 - 500 g	
Code		<b>447.000</b>	
RAW MATERIAL		CLOSURE SYSTEM	
PP - Polypropylene	<b>X</b>	Snap + Tamper evidence	
PS - Polystyrene		Membrane seal	<b>X</b>
PE - Polyethylene		Easy open Aluminum	
DIMENSION		SUITABLE FOR (Code)	
Weight (g)	<b>9,7</b>	<b>445.000</b>	<b>446.000</b>
DECORATION		FOOD APPROVALS	
I.M.L	<b>X</b>		
PACKING		Box	Palbox
		400 x 400	800 x 1200
		h 500	h 700    h 900
N° x box		<b>1660</b>	
Weight box (Kg)		<b>16,1</b>	
Boxes x pallet		<b>16</b>	
Weight pallet (Kg)		<b>263</b>	
N° x pallet		<b>26560</b>	

**EXTERNAL DIMENSIONS (mm)**