



MAIN INFORMATION		Vaschetta Boem 0,18 L
Code		<b>448.000</b>

RAW MATERIAL		CLOSURE SYSTEM	
PP - Polypropylene	<b>X</b>	Snap + Tamper evidence	
PS - Polystyrene		Membrane seal	<b>X</b>
PE - Polyethylene		Easy open Aluminum	
Food Approvals			

DIMENSION		LID SUITABLE (Code)	
Weight (g)	<b>7,9</b>	<b>449.000</b>	
Brimful volume (ml)	<b>187</b>		
Useful volume (ml)	<b>180</b>		

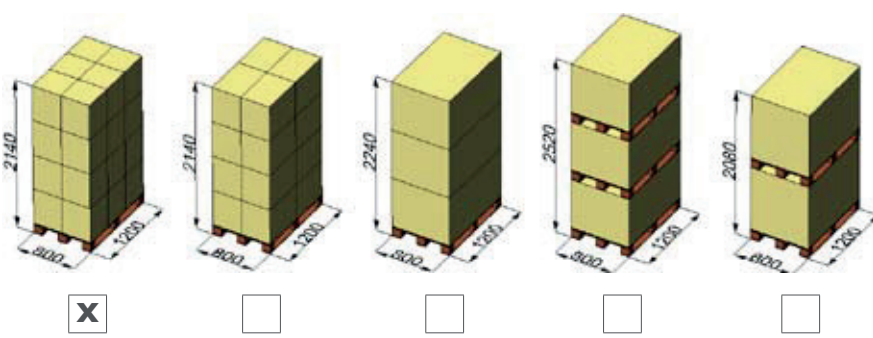
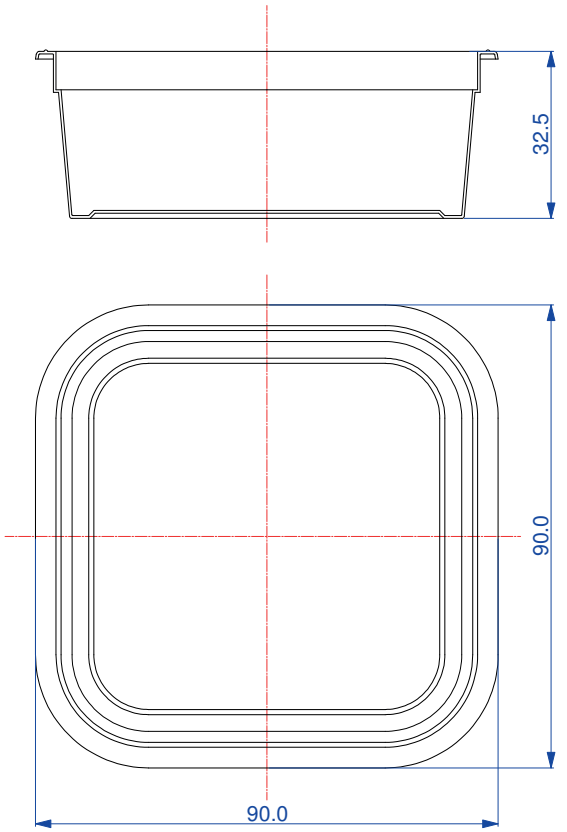
DECORATION			
Adhesive label		Offset	
I.M.L	<b>X</b>	Skinny	
I.M.S.		Other	
I.M.S. barrier			

PACKING	Box		Palbox	
	400 x 400	400 x 600	800 x 1200	800 x 1200
	h 500	h 500	h 700	h 900
N° x box	<b>896</b>			
Weight box (Kg)	<b>7,1</b>			
Boxes x pallet	<b>24</b>			
Weight pallet (Kg)	<b>175</b>			
N° x pallet	<b>21504</b>			

IMAGE



EXTERNAL DIMENSIONS (mm)



MAIN INFORMATION		Coperchio Boem	
Code	<b>449.000</b>		
RAW MATERIAL		CLOSURE SYSTEM	
PP - Polypropylene	<b>X</b>	Snap + Tamper evidence	<b>X</b>
PS - Polystyrene		Membrane seal	
PE - Polyethylene		Easy open Aluminum	
DIMENSION		SUITABLE FOR (Code)	
Weight (g)	<b>5</b>	<b>448.000</b>	<b>479.000</b>
DECORATION		FOOD APPROVALS	
I.M.L	<b>X</b>		
PACKING		Box	Palbox
		400 x 400	800 x 1200
		h 500	h 700    h 900
N° x box	<b>2400</b>		
Weight box (Kg)	<b>12</b>		
Boxes x pallet	<b>24</b>		
Weight pallet (Kg)	<b>293</b>		
N° x pallet	<b>57600</b>		

**EXTERNAL DIMENSIONS (mm)**