



MAIN INFORMATION		Vaschetta 2,5 L ovale c.s.
Code		450.000

RAW MATERIAL		CLOSURE SYSTEM	
PP - Polypropylene	X	Snap + Tamper evidence	X
PS - Polystyrene		Membrane seal	
PE - Polyethylene		Easy open Aluminum	
Food Approvals			

DIMENSION		LID SUITABLE (Code)	
Weight (g)	79	451.000	
Brimful volume (ml)	2901		
Useful volume (ml)	2500		

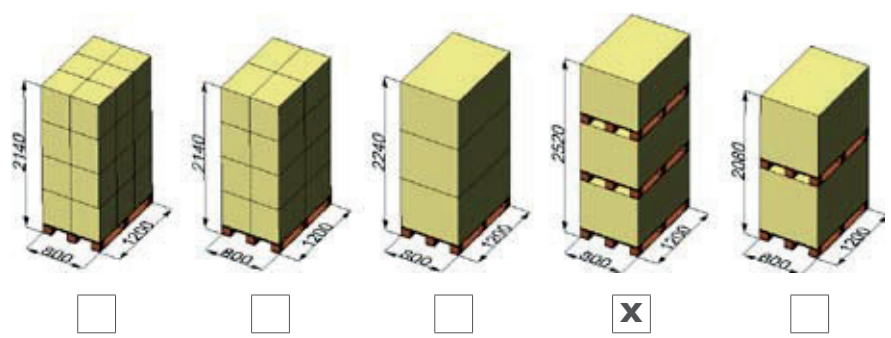
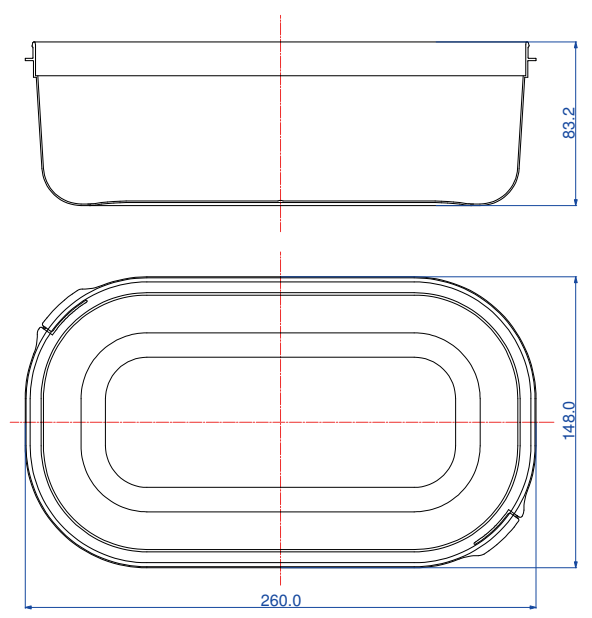
DECORATION	
Adhesive label	Offset
I.M.L	X Skinny
I.M.S.	Other
I.M.S. barrier	

PACKING	Box	Box	Palbox	
	400 x 400 h 500	400 x 600 h 500	h 700	h 900
N° x box			672	
Weight box (Kg)			53,1	
Boxes x pallet			3	
Weight pallet (Kg)			164,3	
N° x pallet			2016	

IMAGE



EXTERNAL DIMENSIONS (mm)



MAIN INFORMATION		Coperchio 2,5 L ovale c.s.	
Code	451.000		
RAW MATERIAL		CLOSURE SYSTEM	
PP - Polypropylene	X	Snap + Tamper evidence	X
PS - Polystyrene		Membrane seal	
PE - Polyethylene		Easy open Aluminum	
DIMENSION		SUITABLE FOR (Code)	
Weight (g)	31	450.000	
DECORATION		FOOD APPROVALS	
I.M.L	X		
PACKING		Box	Palbox
		400 x 400	800 x 1200
		h 500	h 700 h 900
N° x box		444	
Weight box (Kg)		13,8	
Boxes x pallet		16	
Weight pallet (Kg)		226	
N° x pallet		7104	

EXTERNAL DIMENSIONS (mm)

148.0
259.0