



MAIN INFORMATION	
	Ciotola zuppe 0,843 L s.s.
Code	<b>452.000</b>

IMAGE

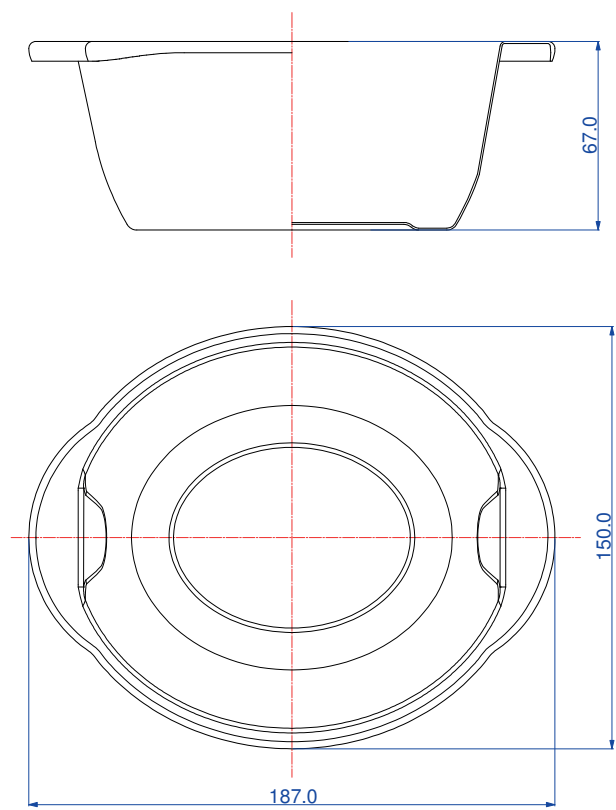


RAW MATERIAL		CLOSURE SYSTEM	
PP - Polypropylene	<b>X</b>	Snap + Tamper evidence	
PS - Polystyrene		Membrane seal	
PE - Polyethylene		Easy open Aluminum	
Food Approvals			

DIMENSION		LID/CUP SUITABLE (Code)	
Weight (g)	<b>27</b>		
Brimful volume (ml)	<b>843</b>		
Useful volume (ml)	<b>800</b>		

DECORATION			
Adhesive label		Offset	
I.M.L	<b>X</b>	Skinny	
I.M.S.		Other	
I.M.S. barrier			

EXTERNAL DIMENSIONS (mm)



PACKING	Box	Box	Palbox	
	400 x 400 h 500	400 x 600 h 500	h 700	h 900
N° x box		<b>434</b>		
Weight box (Kg)		<b>11,8</b>		
Boxes x pallet		<b>16</b>		
Weight pallet (Kg)		<b>194</b>		
N° x pallet		<b>6944</b>		

