



MAIN INFORMATION		Vaschetta 0,376 L s.s.
Code		<b>458.000</b>

IMAGE

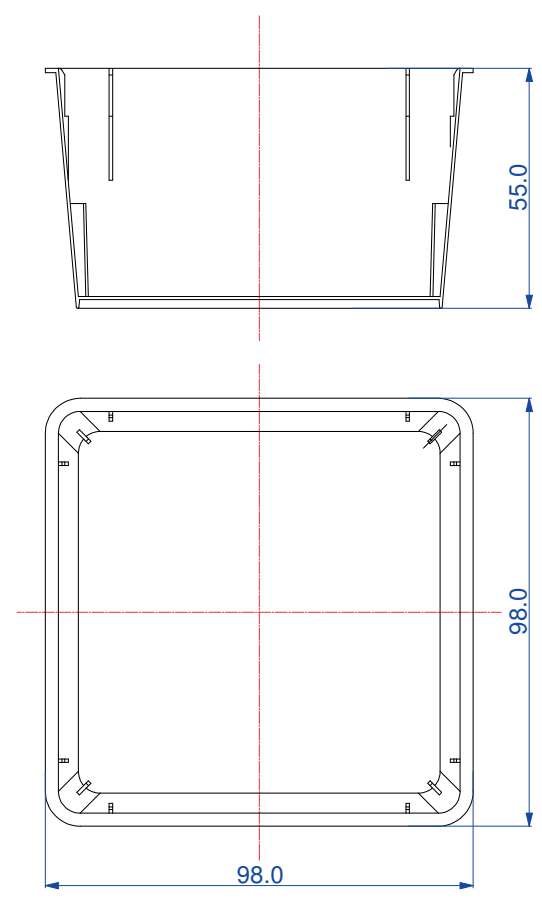


RAW MATERIAL		CLOSURE SYSTEM	
PP - Polypropylene	<b>X</b>	Snap + Tamper evidence	
PS - Polystyrene		Membrane seal	<b>X</b>
PE - Polyethylene		Easy open Aluminum	
Food Approvals			

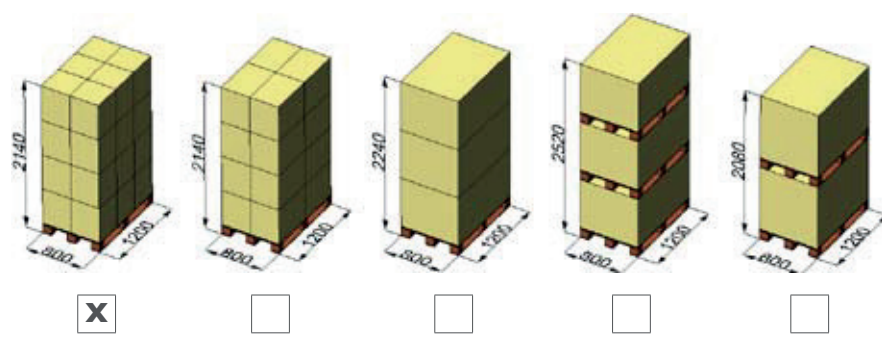
DIMENSION		LID SUITABLE (Code)	
Weight (g)	<b>18</b>	<b>434.000</b>	
Brimful volume (ml)	<b>400</b>		
Useful volume (ml)	<b>316</b>		

DECORATION			
Adhesive label		Offset	
I.M.L		Skinny	
I.M.S.		Other	
I.M.S. barrier	<b>X</b>		

EXTERNAL DIMENSIONS (mm)



PACKING	Box		Palbox	
	400 x 400 h 500	400 x 600 h 500	800 x 1200 h 700	800 x 1200 h 900
N° x box		<b>432</b>		
Weight box (Kg)		<b>7,8</b>		
Boxes x pallet		<b>16</b>		
Weight pallet (Kg)		<b>130</b>		
N° x pallet		<b>6912</b>		



MAIN INFORMATION		Coperchio tronco	
Code	<b>434.000</b>		
RAW MATERIAL		CLOSURE SYSTEM	
PP - Polypropylene	<b>X</b>	Snap + Tamper evidence	<b>X</b>
PS - Polystyrene		Membrane seal	
PE - Polyethylene		Easy open Aluminum	
DIMENSION		SUITABLE FOR (Code)	
Weight (g)	<b>8</b>	<b>433.000</b>	<b>458.000</b>
DECORATION		FOOD APPROVALS	
I.M.L	<b>X</b>		
PACKING		Box	Palbox
		400 x 400	800 x 1200
		h 500	h 700    h 900
N° x box	<b>1088</b>		
Weight box (Kg)	<b>8,7</b>		
Boxes x pallet	<b>24</b>		
Weight pallet (Kg)	<b>214</b>		
N° x pallet	<b>26112</b>		

**EXTERNAL DIMENSIONS (mm)**