



MAIN INFORMATION		Vaschetta 0,180 L rett s.s.
Code		465.000

RAW MATERIAL		CLOSURE SYSTEM	
PP - Polypropylene	X	Snap + Tamper evidence	
PS - Polystyrene		Membrane seal	X
PE - Polyethylene		Easy open Aluminum	
Food Approvals			

DIMENSION		LID/CUP SUITABLE (Code)	
Weight (g)	9,6	466.000	
Brimful volume (ml)	180		
Useful volume (ml)	180		

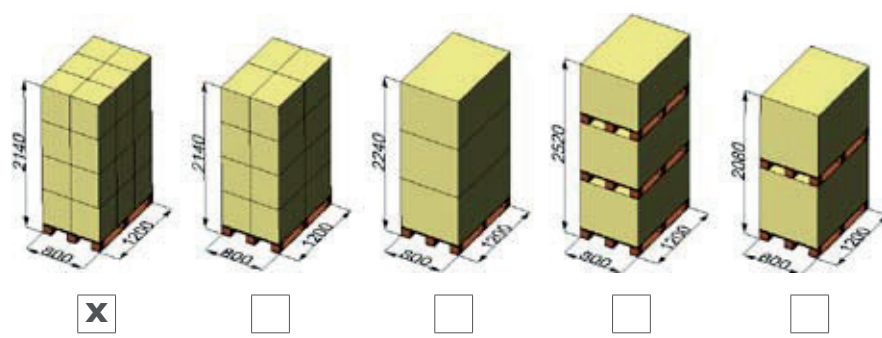
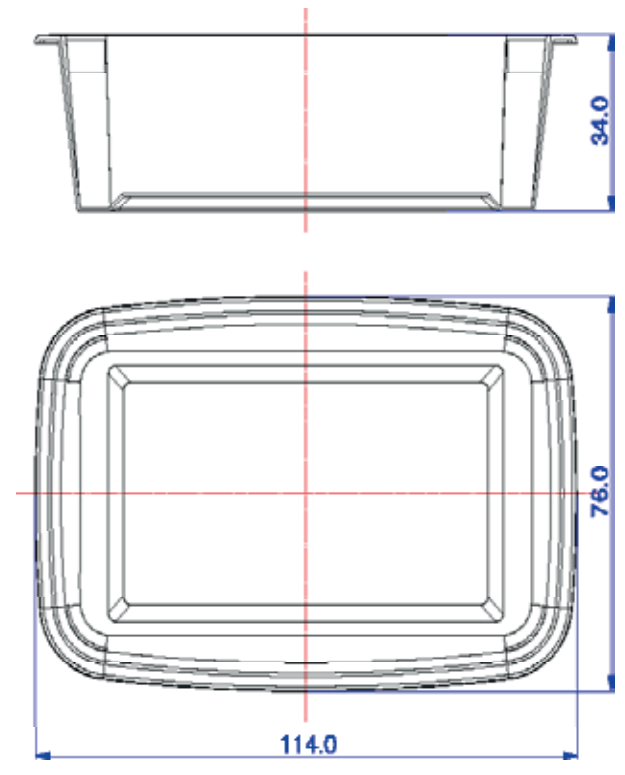
DECORATION			
Adhesive label		Offset	
I.M.L	X	Skinny	
I.M.S.		Other	
I.M.S. barrier			

PACKING	Box		Palbox	
	400 x 400	400 x 600	800 x 1200	800 x 1200
	h 500	h 500	h 700	h 900
N° x box	928			
Weight box (Kg)	8,9			
Boxes x pallet	24			
Weight pallet (Kg)	218			
N° x pallet	22272			

IMAGE



EXTERNAL DIMENSIONS (mm)



MAIN INFORMATION		Coperchio 0,180 L rett. s.s.	
Code	466.000		
RAW MATERIAL		CLOSURE SYSTEM	
PP - Polypropylene	X	Snap + Tamper evidence	X
PS - Polystyrene		Membrane seal	
PE - Polyethylene		Easy open Aluminum	
DIMENSION		SUITABLE FOR (Code)	
Weight (g)	5,1	465.000	
DECORATION		FOOD APPROVALS	
I.M.L	X		
PACKING		Box	Palbox
		400 x 400	800 x 1200
		h 500	h 700 h 900
N° x box	2368		
Weight box (Kg)	12,1		
Boxes x pallet	24		
Weight pallet (Kg)	290		
N° x pallet	56832		

EXTERNAL DIMENSIONS (mm)

7.3
116.2
78.2

2140 800 325
2140 800 325
2240 800 325
2520 800 325
2080 800 325

X