



MAIN INFORMATION		Vaschetta 0,280 L c.s.
Code		468.000

RAW MATERIAL		CLOSURE SYSTEM	
PP - Polypropylene	X	Snap + Tamper evidence	X
PS - Polystyrene		Membrane seal	
PE - Polyethylene		Easy open Aluminum	
Food Approvals			

DIMENSION		LID SUITABLE (Code)
Weight (g)	14	469.000
Brimful volume (ml)	333	
Useful volume (ml)	280	

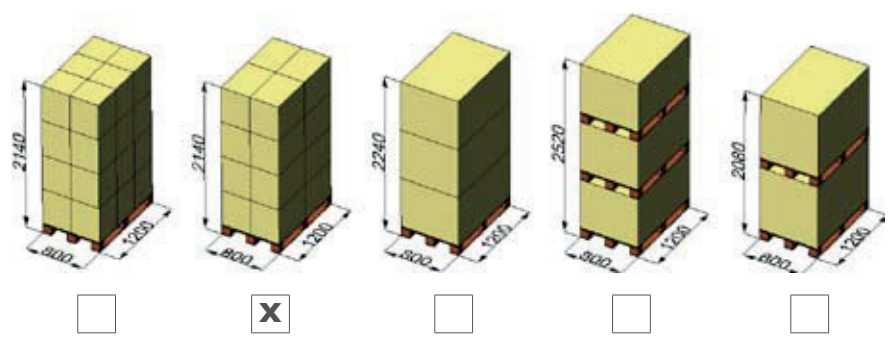
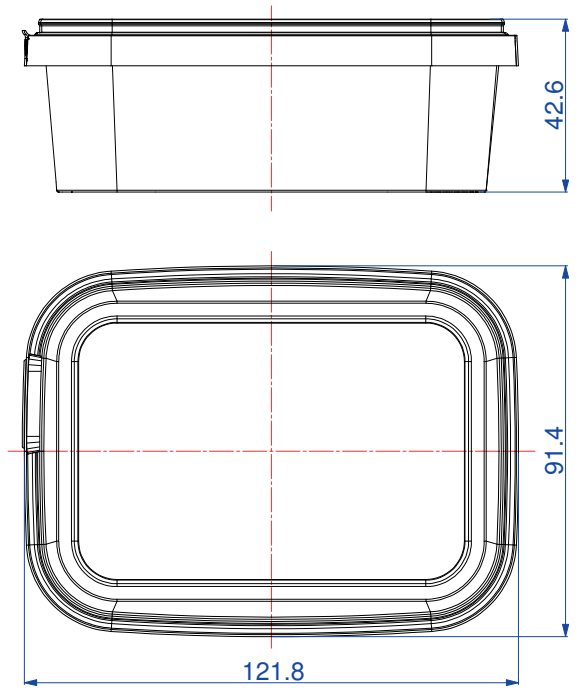
DECORATION	
Adhesive label	Offset
I.M.L	X Skinny
I.M.S.	Other
I.M.S. barrier	

PACKING	Box	Box	Palbox	
	400 x 400 h 500	400 x 600 h 500	800 x 1200 h 700	800 x 1200 h 900
N° x box		756		
Weight box (Kg)		11,5		
Boxes x pallet		16		
Weight pallet (Kg)		189		
N° x pallet		12096		

IMAGE



EXTERNAL DIMENSIONS (mm)



MAIN INFORMATION

Coperchio 0,280 L c.s.

Code **469.000**

RAW MATERIAL

PP - Polypropylene **X**
 PS - Polystyrene
 PE - Polyethylene

CLOSURE SYSTEM

Snap + Tamper evidence **X**
 Membrane seal
 Easy open Aluminum

DIMENSION

Weight (g) **5,7** **468.000**

DECORATION

I.M.L. **X**

FOOD APPROVALS



PACKING

	Box	Box	Palbox	
	400 x 400	400 x 600	800 x 1200	
	h 500	h 500	h 700	h 900
N° x box		2080		
Weight box (Kg)		13		
Boxes x pallet		16		
Weight pallet (Kg)		213		
N° x pallet		33280		

EXTERNAL DIMENSIONS (mm)

