



MAIN INFORMATION		Vaschetta 0,185 L s.s.
Code		472.000

IMAGE



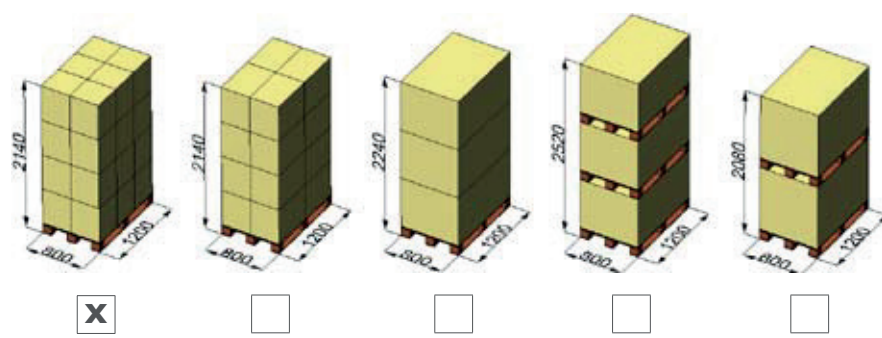
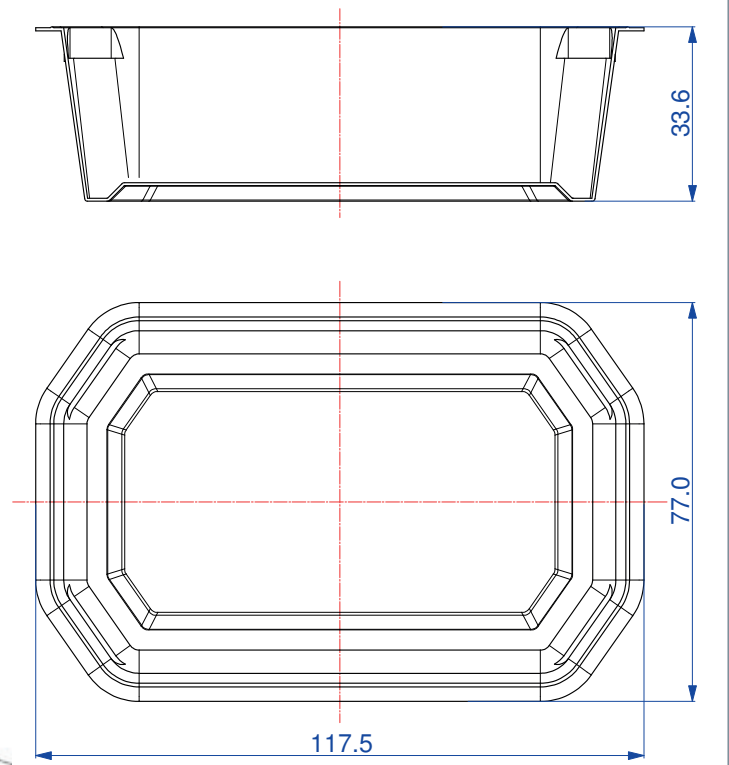
RAW MATERIAL		CLOSURE SYSTEM	
PP - Polypropylene	X	Snap + Tamper evidence	X
PS - Polystyrene		Membrane seal	
PE - Polyethylene		Easy open Aluminum	
Food Approvals			

DIMENSION		LID SUITABLE (Code)
Weight (g)	9,8	473.000
Brimful volume (ml)	185	
Useful volume (ml)	185	

DECORATION	
Adhesive label	Offset
I.M.L	X Skinny
I.M.S.	Other
I.M.S. barrier	

PACKING	Box	Box	Palbox	
	400 x 400 h 500	400 x 600 h 500	800 x 1200 h 700	h 900
N° x box	1120			
Weight box (Kg)	10,9			
Boxes x pallet	24			
Weight pallet (Kg)	266			
N° x pallet	26880			

EXTERNAL DIMENSIONS (mm)



-
-
-
-
-

MAIN INFORMATION Coperchio 0,160 - 0,185 L

Code **473.000**

RAW MATERIAL **CLOSURE SYSTEM**

PP - Polypropylene	X	Snap + Tamper evidence	X
PS - Polystyrene		Membrane seal	
PE - Polyethylene		Easy open Aluminum	

DIMENSION **SUITABLE FOR (Code)**

Weight (g)	6,4	472.000
		475.000

DECORATION **FOOD APPROVALS**

I.M.L **X** 

PACKING **Box** **Box** **Palbox**

	400 x 400	400 x 600	800 x 1200	
	h 500	h 500	h 700	h 900
N° x box	2250			
Weight box (Kg)	14,4			
Boxes x pallet	24			
Weight pallet (Kg)	350			
N° x pallet	54000			

EXTERNAL DIMENSIONS (mm)

