



| MAIN INFORMATION |                            |
|------------------|----------------------------|
|                  | Ciotola zuppe 0,820 L s.s. |
| Code             | <b>474.000</b>             |

IMAGE

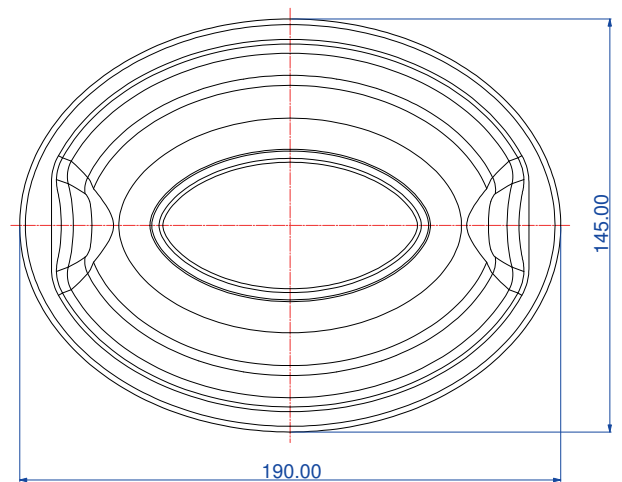
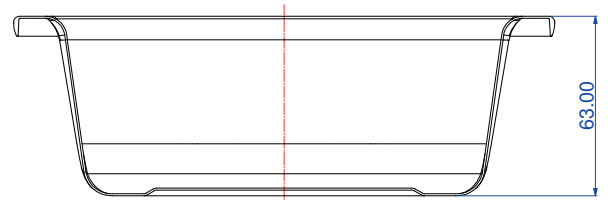


| RAW MATERIAL       |          | CLOSURE SYSTEM         |  |
|--------------------|----------|------------------------|--|
| PP - Polypropylene | <b>X</b> | Snap + Tamper evidence |  |
| PS - Polystyrene   |          | Membrane seal          |  |
| PE - Polyethylene  |          | Easy open Aluminum     |  |
| Food Approvals     |          |                        |  |

| DIMENSION           |             | LID/CUP SUITABLE (Code) |  |
|---------------------|-------------|-------------------------|--|
| Weight (g)          | <b>28,8</b> |                         |  |
| Brimful volume (ml) | <b>820</b>  |                         |  |
| Useful volume (ml)  | <b>820</b>  |                         |  |

| DECORATION     |                 |
|----------------|-----------------|
| Adhesive label | Offset          |
| I.M.L          | <b>X</b> Skinny |
| I.M.S.         | Other           |
| I.M.S. barrier |                 |

EXTERNAL DIMENSIONS (mm)



| PACKING            | Box                | Box                | Palbox |       |
|--------------------|--------------------|--------------------|--------|-------|
|                    | 400 x 400<br>h 500 | 400 x 600<br>h 500 | h 700  | h 900 |
| N° x box           |                    | <b>496</b>         |        |       |
| Weight box (Kg)    |                    | <b>14,3</b>        |        |       |
| Boxes x pallet     |                    | <b>16</b>          |        |       |
| Weight pallet (Kg) |                    | <b>234</b>         |        |       |
| N° x pallet        |                    | <b>7936</b>        |        |       |

