



MAIN INFORMATION	Jebo 233 ml
Code	477.000

RAW MATERIAL		CLOSURE SYSTEM	
PP - Polypropylene	X	Snap + Tamper evidence	X
PS - Polystyrene		Membrane seal	
PE - Polyethylene		Easy open Aluminum	
Food Approvals			

DIMENSION		LID SUITABLE (Code)
Weight (g)	9,5	478.000
Brimful volume (ml)	233	
Useful volume (ml)	176	

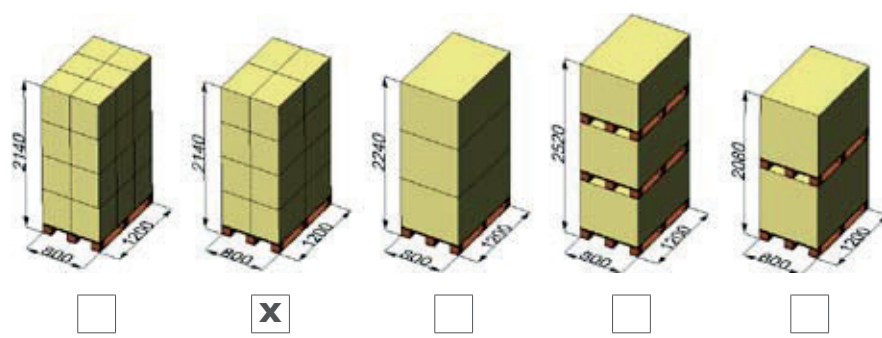
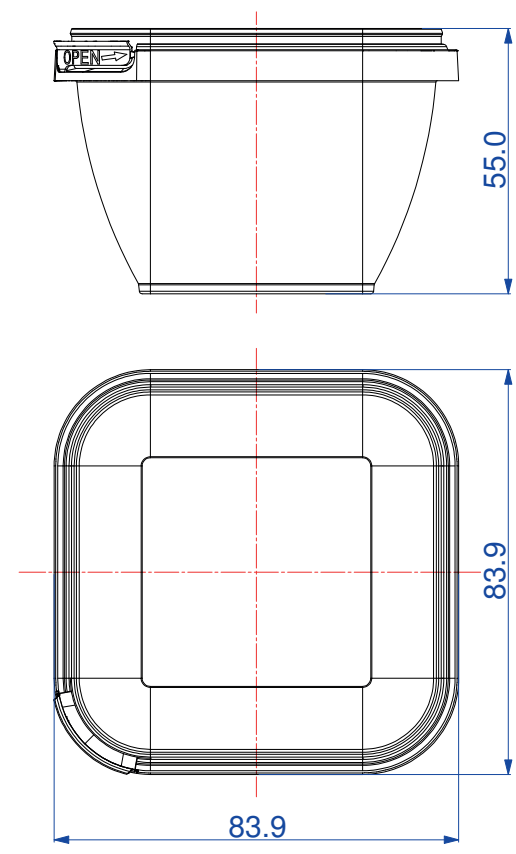
DECORATION		
Adhesive label		Offset
I.M.L	X	Skinny
I.M.S.		Other
I.M.S. barrier		

PACKING	Box	Box	Palbox	
	400 x 400 h 500	400 x 600 h 500	800 x 1200 h 700	800 x 1200 h 900
N° x box		960		
Weight box (Kg)		10		
Boxes x pallet		16		
Weight pallet (Kg)		160		
N° x pallet		15360		

IMAGE



EXTERNAL DIMENSIONS (mm)



MAIN INFORMATION Jebo 192 - 233 ml

Code **478.000**

RAW MATERIAL **CLOSURE SYSTEM**

PP - Polypropylene	X	Snap + Tamper evidence	X
PS - Polystyrene		Membrane seal	
PE - Polyethylene		Easy open Aluminum	

DIMENSION **SUITABLE FOR (Code)**

Weight (g)	4,5	476.000
		477.000

DECORATION **FOOD APPROVALS**

I.M.L **X**

PACKING **Box** **Box** **Palbox**

	400 x 400	400 x 600	800 x 1200	
	h 500	h 500	h 700	h 900
N° x box	2526			
Weight box (Kg)	12,5			
Boxes x pallet	24			
Weight pallet (Kg)	305			
N° x pallet	61440			

EXTERNAL DIMENSIONS (mm)

