



MAIN INFORMATION		Vaschetta 1,080 L
Code		<b>480.000</b>

RAW MATERIAL		CLOSURE SYSTEM	
PP - Polypropylene	<b>X</b>	Snap + Tamper evidence	<b>X</b>
PS - Polystyrene		Membrane seal	
PE - Polyethylene		Easy open Aluminum	
Food Approvals			

DIMENSION		LID SUITABLE (Code)
Weight (g)	<b>32,5</b>	<b>481.000</b>
Brimful volume (ml)	<b>1080</b>	
Useful volume (ml)	<b>1045</b>	

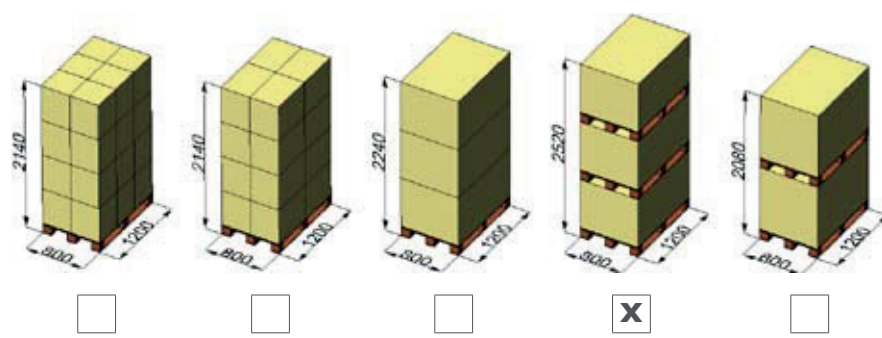
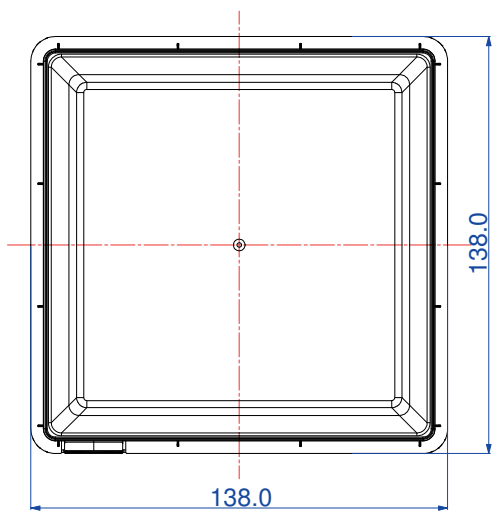
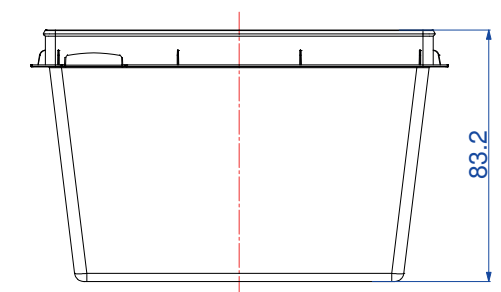
DECORATION	
Adhesive label	Offset
I.M.L	<b>X</b> Skinny
I.M.S.	Other
I.M.S. barrier	

PACKING	Box	Box	Palbox	
	400 x 400	400 x 600	800 x 1200	
	h 500	h 500	h 700	h 900
N° x box			<b>2000</b>	
Weight box (Kg)			<b>69</b>	
Boxes x pallet			<b>1</b>	
Weight pallet (Kg)			<b>69</b>	
N° x pallet			<b>3</b>	

IMAGE



EXTERNAL DIMENSIONS (mm)



MAIN INFORMATION		Coperchio	
Code		<b>481.000</b>	
RAW MATERIAL		CLOSURE SYSTEM	
PP - Polypropylene	<b>X</b>	Snap + Tamper evidence	<b>X</b>
PS - Polystyrene		Membrane seal	
PE - Polyethylene		Easy open Aluminum	
DIMENSION		SUITABLE FOR (Code)	
Weight (g)	<b>13</b>	<b>480.000</b>	
DECORATION		FOOD APPROVALS	
I.M.L	<b>X</b>		
PACKING		Box	Palbox
		400 x 400	800 x 1200
		h 500	h 700    h 900
N° x box		<b>936</b>	
Weight box (Kg)		<b>13</b>	
Boxes x pallet		<b>16</b>	
Weight pallet (Kg)		<b>219</b>	
N° x pallet		<b>14976</b>	

**EXTERNAL DIMENSIONS (mm)**