



MAIN INFORMATION		Vaschetta 0,260 L
Code		486.000

RAW MATERIAL		CLOSURE SYSTEM	
PP - Polypropylene	X	Snap + Tamper evidence	X
PS - Polystyrene		Membrane seal	
PE - Polyethylene		Easy open Aluminum	
Food Approvals			

DIMENSION		LID SUITABLE (Code)
Weight (g)	10	487.000
Brimful volume (ml)	336	
Useful volume (ml)	260	

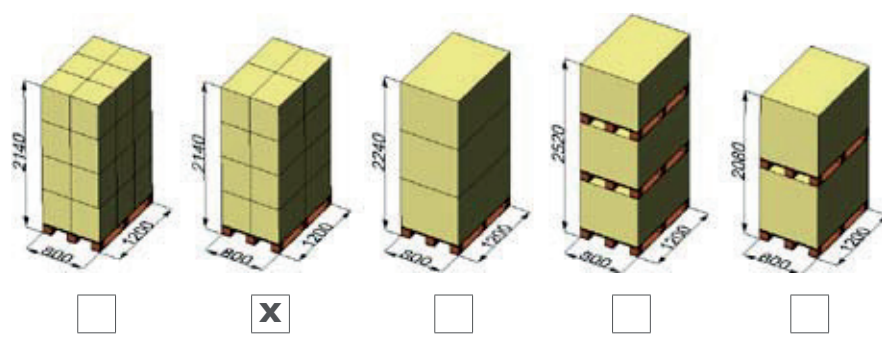
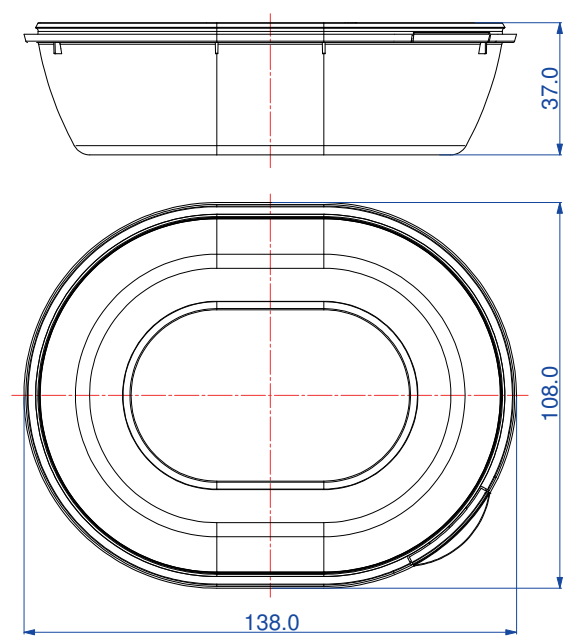
DECORATION	
Adhesive label	Offset
I.M.L	X Skinny
I.M.S.	Other
I.M.S. barrier	

PACKING	Box	Box	Palbox	
	400 x 400 h 500	400 x 600 h 500	800 x 1200 h 700	800 x 1200 h 900
N° x box		728		
Weight box (Kg)		8		
Boxes x pallet		16		
Weight pallet (Kg)		128		
N° x pallet		11648		

IMAGE



EXTERNAL DIMENSIONS (mm)




MAIN INFORMATION Coperchio 0,260 L

Code **487.000**

RAW MATERIAL		CLOSURE SYSTEM	
PP - Polypropylene	X	Snap + Tamper evidence	X
PS - Polystyrene		Membrane seal	
PE - Polyethylene		Easy open Aluminum	

DIMENSION		SUITABLE FOR (Code)	
Weight (g)	8	486.000	

DECORATION		FOOD APPROVALS	
I.M.L	X		 

PACKING	Box		Palbox	
	400 x 400 h 500	400 x 600 h 500	h 700	h 900
N° x box		2370		
Weight box (Kg)		20		
Boxes x pallet		16		
Weight pallet (Kg)		325		
N° x pallet		37920		

EXTERNAL DIMENSIONS (mm)

