



MAIN INFORMATION		Vaschetta 0,255 L
Code		488.000

RAW MATERIAL		CLOSURE SYSTEM	
PP - Polypropylene	X	Snap + Tamper evidence	X
PS - Polystyrene		Membrane seal	
PE - Polyethylene		Easy open Aluminum	
Food Approvals			

DIMENSION		LID SUITABLE (Code)
Weight (g)	10	489.000
Brimful volume (ml)	255	
Useful volume (ml)	255	

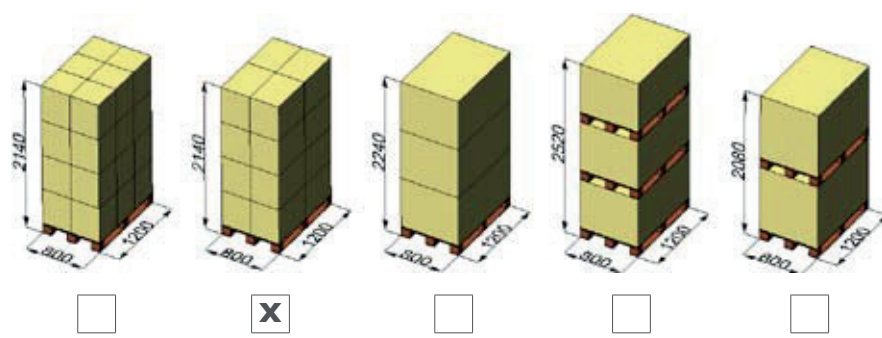
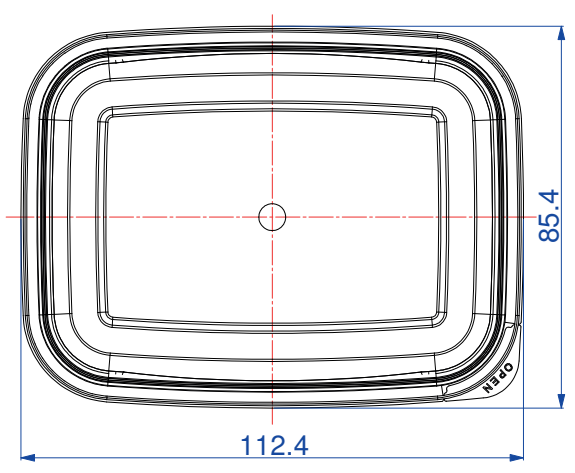
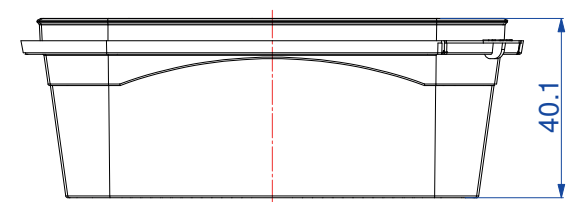
DECORATION	
Adhesive label	Offset
I.M.L	X Skinny
I.M.S.	Other
I.M.S. barrier	

PACKING	Box	Box	Palbox	
	400 x 400 h 500	400 x 600 h 500	h 700	h 900
N° x box		1290		
Weight box (Kg)		14		
Boxes x pallet		16		
Weight pallet (Kg)		224		
N° x pallet		20640		

IMAGE



EXTERNAL DIMENSIONS (mm)



MAIN INFORMATION Coperchio 0,255 L

Code **489.000**

RAW MATERIAL **CLOSURE SYSTEM**

PP - Polypropylene	X	Snap + Tamper evidence	X
PS - Polystyrene		Membrane seal	
PE - Polyethylene		Easy open Aluminum	

DIMENSION **SUITABLE FOR (Code)**

Weight (g) **5** **488.000**

DECORATION **FOOD APPROVALS**

I.M.L. **X**

PACKING **Box** **Box** **Palbox**

	Box	Box	Palbox	
	400 x 400	400 x 600	800 x 1200	
	h 500	h 500	h 700	h 900
N° x box		2880		
Weight box (Kg)		15,5		
Boxes x pallet		16		
Weight pallet (Kg)		253		
N° x pallet		46080		

EXTERNAL DIMENSIONS (mm)

