



MAIN INFORMATION	
Vaschetta cucina Bologna	
Code	490.000

IMAGE

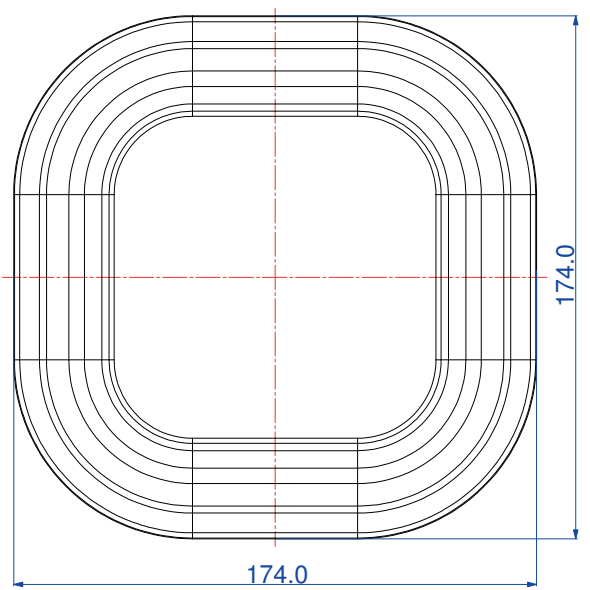
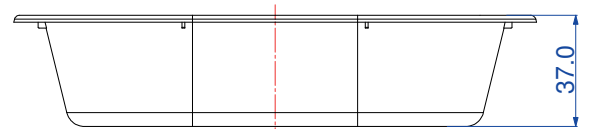


RAW MATERIAL		CLOSURE SYSTEM	
PP - Polypropylene	X	Snap + Tamper evidence	
PS - Polystyrene		Membrane seal	X
PE - Polyethylene		Easy open Aluminum	
Food Approvals			

DIMENSION		LID/CUP SUITABLE (Code)	
Weight (g)	26		
Brimful volume (ml)	680		
Useful volume (ml)	680		

DECORATION	
Adhesive label	Offset
I.M.L	X Skinny
I.M.S.	Other
I.M.S. barrier	

EXTERNAL DIMENSIONS (mm)



PACKING	Box	Box	Palbox	
	400 x 400 h 500	400 x 600 h 500	h 700	h 900
N° x box		624		
Weight box (Kg)		157		
Boxes x pallet		16		
Weight pallet (Kg)		277		
N° x pallet		9984		

