



MAIN INFORMATION	
Lidl Tub - Alimpex CZ	
Code	498.000

RAW MATERIAL		CLOSURE SYSTEM	
PP - Polypropylene	X	Snap + Tamper evidence	
PS - Polystyrene		Membrane seal	X
PE - Polyethylene		Easy open Aluminum	
Food Approvals			

DIMENSION		LID SUITABLE (Code)
Weight (g)	9	499.000
Brimful volume (ml)	158	
Useful volume (ml)	158	

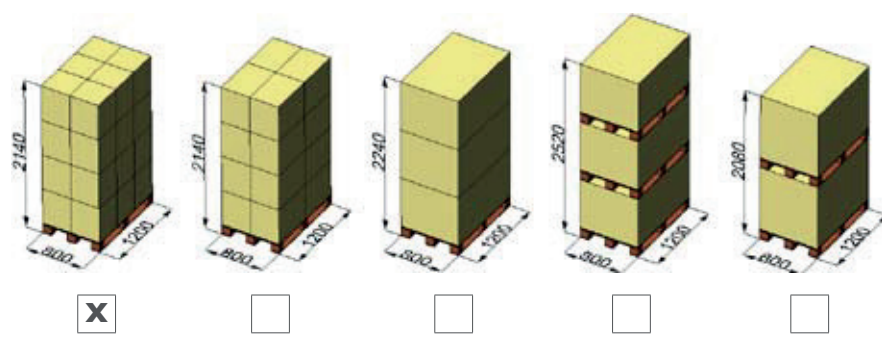
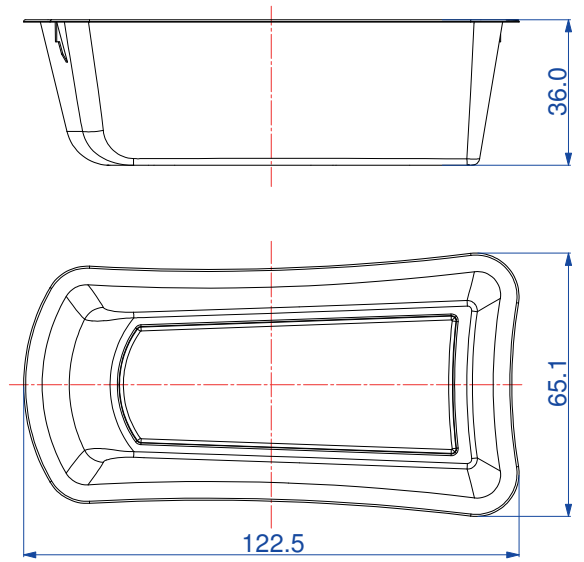
DECORATION	
Adhesive label	Offset
I.M.L	X Skinny
I.M.S.	Other
I.M.S. barrier	

PACKING	Box	Box	Palbox	
	400 x 400 h 500	400 x 600 h 500	h 700	h 900
N° x box	1518			
Weight box (Kg)	14			
Boxes x pallet	24			
Weight pallet (Kg)	340			
N° x pallet	36432			

IMAGE



EXTERNAL DIMENSIONS (mm)



MAIN INFORMATION Lidl Lid - Alimpex CZ

Code **499.000**

RAW MATERIAL **CLOSURE SYSTEM**

PP - Polypropylene	X	Snap + Tamper evidence	
PS - Polystyrene		Membrane seal	X
PE - Polyethylene		Easy open Aluminum	

DIMENSION **SUITABLE FOR (Code)**

Weight (g) **6,3** **498.000**

DECORATION **FOOD APPROVALS**

I.M.L **X**

PACKING **Box** **Box** **Palbox**

	400 x 400	400 x 600	800 x 1200	
	h 500	h 500	h 700	h 900
N° x box	1518			
Weight box (Kg)	10			
Boxes x pallet	24			
Weight pallet (Kg)	245			
N° x pallet	36432			

EXTERNAL DIMENSIONS (mm)

