



MAIN INFORMATION		Vaschetta 1 L
Code		615.000

RAW MATERIAL		CLOSURE SYSTEM	
PP - Polypropylene	X	Snap + Tamper evidence	X
PS - Polystyrene		Membrane seal	
PE - Polyethylene		Easy open Aluminum	
Food Approvals			

DIMENSION		LID SUITABLE (Code)
Weight (g)	33,3	616.000
Brimful volume (ml)	1230	
Useful volume (ml)	1150	

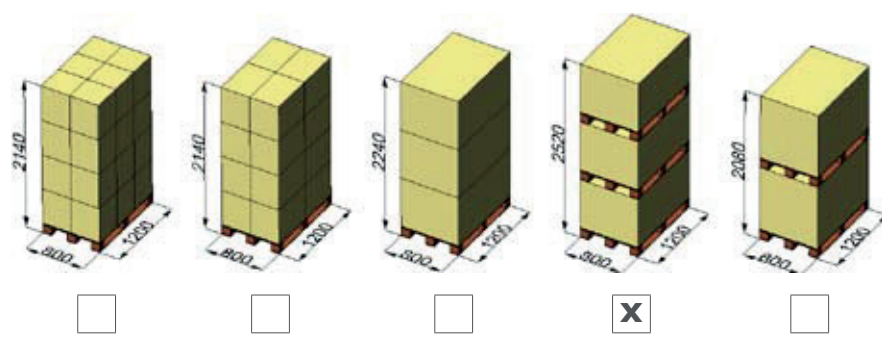
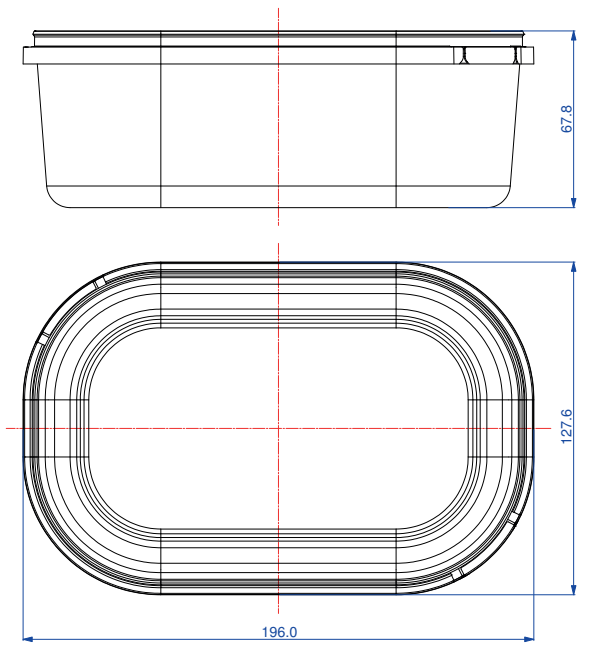
DECORATION	
Adhesive label	Offset
I.M.L	X Skinny
I.M.S.	Other
I.M.S. barrier	

PACKING	Box	Box	Palbox	
	400 x 400	400 x 600	800 x 1200	
	h 500	h 500	h 700	h 900
N° x box			1908	
Weight box (Kg)			65	
Boxes x pallet			3	
Weight pallet (Kg)			200	
N° x pallet			5724	

IMAGE



EXTERNAL DIMENSIONS (mm)



MAIN INFORMATION Coperchio 1 L

Code **616.000**

RAW MATERIAL **CLOSURE SYSTEM**

PP - Polypropylene	X	Snap + Tamper evidence	X
PS - Polystyrene		Membrane seal	
PE - Polyethylene		Easy open Aluminum	

DIMENSION **SUITABLE FOR (Code)**

Weight (g) **15** **615.000**

DECORATION **FOOD APPROVALS**

I.M.L. **X** 

PACKING

	Box	Box	Palbox	
	400 x 400	400 x 600	800 x 1200	
	h 500	h 500	h 700	h 900
N° x box	963			
Weight box (Kg)	15			
Boxes x pallet	16			
Weight pallet (Kg)	245			
N° x pallet	15408			

EXTERNAL DIMENSIONS (mm)

