



MAIN INFORMATION	
	Bicchiere 0,260 L
Code	842.000

IMAGE

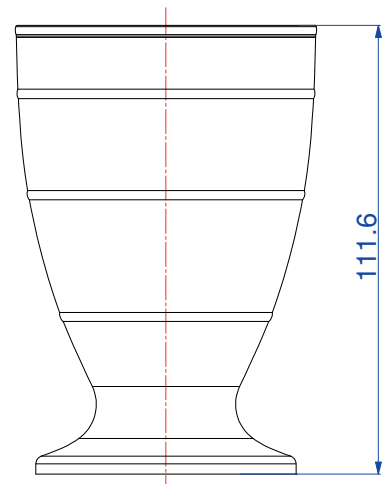


RAW MATERIAL	CLOSURE SYSTEM
PP - Polypropylene	Snap + Tamper evidence
PS - Polystyrene X	Membrane seal
PE - Polyethylene	Easy open Aluminum
Food Approvals	

DIMENSION	LID/CUP SUITABLE (Code)
Weight (g)	47
Brimful volume (ml)	260
Useful volume (ml)	260

DECORATION	
Adhesive label	Offset
I.M.L	Skinny
I.M.S.	Other
I.M.S. barrier	

EXTERNAL DIMENSIONS (mm)



PACKING	Box	Box	Palbox	
	400 x 400 h 500	400 x 600 h 500	800 x 1200 h 700	800 x 1200 h 900
N° x box				
Weight box (Kg)				
Boxes x pallet				
Weight pallet (Kg)				
N° x pallet				

